

QBY/DBY

Технические характеристики

По вопросам продаж и поддержки обращайтесь:

Алматы (7273)495-231	Казань (843)206-01-48	Новокузнецк (3843)20-46-81	Смоленск (4812)29-41-54
Архангельск (8182)63-90-72	Калининград (4012)72-03-81	Новосибирск (383)227-86-73	Сочи (862)225-72-31
Астрахань (8512)99-46-04	Калуга (4842)92-23-67	Омск (3812)21-46-40	Ставрополь (8652)20-65-13
Барнаул (3852)73-04-60	Кемерово (3842)65-04-62	Орел (4862)44-53-42	Сургут (3462)77-98-35
Белгород (4722)40-23-64	Киров (8332)68-02-04	Оренбург (3532)37-68-04	Тверь (4822)63-31-35
Брянск (4832)59-03-52	Краснодар (861)203-40-90	Пенза (8412)22-31-16	Томск (3822)98-41-53
Владивосток (423)249-28-31	Красноярск (391)204-63-61	Пермь (342)205-81-47	Тула (4872)74-02-29
Волгоград (844)278-03-48	Курск (4712)77-13-04	Ростов-на-Дону (863)308-18-15	Тюмень (3452)66-21-18
Вологда (8172)26-41-59	Липецк (4742)52-20-81	Рязань (4912)46-61-64	Ульяновск (8422)24-23-59
Воронеж (473)204-51-73	Магнитогорск (3519)55-03-13	Самара (846)206-03-16	Уфа (347)229-48-12
Екатеринбург (343)384-55-89	Москва (495)268-04-70	Санкт-Петербург (812)309-46-40	Хабаровск (4212)92-98-04
Иваново (4932)77-34-06	Мурманск (8152)59-64-93	Саратов (845)249-38-78	Челябинск (351)202-03-61
Ижевск (3412)26-03-58	Набережные Челны (8552)20-53-41	Севастополь (8692)22-31-93	Череповец (8202)49-02-64
Иркутск (395)279-98-46	Нижний Новгород (831)429-08-12	Симферополь (3652)67-13-56	Ярославль (4852)69-52-93
Россия (495)268-04-70	Киргизия (996)312-96-26-47	Казахстан (7172)727-132	



Chemical Resistant Air Diaphragm Reciprocating Pneumatic Oil Pumps Santoprene Diaphragm Pump

We have two type of diaphragm pump, the DBY electric actuated diaphragm pump and the QBY air actuated diaphragm pump.

Product Description

We have two type of diaphragm pump, the DBY electric actuated diaphragm pump and the QBY air actuated diaphragm pump.

Character:

1. No need to irrigation medium first.
2. Self suction height is 7 meter.

3. It can transfer high viscosity liquid.
4. It can transfer liquid that has particle, which diameter is less or equal to 10mm.
5. It will never leak, because the delivered medium is separated from the transmission machinery on the diaphragm pump.
6. The pump has long lifetime because it has no shaft seal.
7. The air actuated diaphragm pump does not need electricity, so it can be used in dangerous occasions, such as combustible, explosive work condition. Also it can work immersed in medium and run idle without lubricating oil.

Typical Uses

The pump can be used to transfer not only water, but also corrosive medium, expensive liquid or the other physical and chemical medium. The medium temperature should be less or equal to 150°C. This product is widely apply to:

Chemical Industry	Petroleum Industry	Pharmaceutical Industry
Biological Industry	Nuclear Power Plant	Nonferrous Metal
Food Industry	Automotive Industry	Municipal Water Supply

PERFORMANCE PARAMETER

QBY气动隔膜泵 QBY AIR-ACTUATED MEMBRANE PUMP

型号 Model	流量 Capacity (m ³ /h)	扬程 Head (m)	出口压力 Outlet pressure (Mpa)	自吸高度 Self-suction height (m)	最大允许通过 颗粒直径 The max particle diameter (mm)	最大供气压力 Max air feed pressure (Mpa)	最大空气消耗量 Max air amount used (m ³ /min)
QBY-10	0-0.8	0*50	0.6	5	1	0.7	0.3
QBY-15	0-1	0-50	0.6	5	1	0.7	0.3
QBY-25	0-2.4	0-50	0.6	7	2.5	0.7	0.6
QBY-40	0-8	0-50	0.6	7	4.5	0.7	0.6
QBY-50	0-12	0-50	0.6	7	8	0.7	0.9
QBY-65	0~16	0~50	0.6	7	8	0.7	0.9
QBY-80	0-24	0*50	0.6	7	10	0.7	1.5
QBY-100	0~30	0-50	0.6	7	10	0.7	1.5

说明: 1. 最大空耗量即需配空压机容量;
2. 泵体材质分别为铝合金、铸铁、不锈钢、聚丙烯、衬胶, 氟合金。

Note: 1. The max air amount used is air compressor capability;
2. There are aluminum alloy, cast iron, stainless steel, RPP, link with rubber, fluorine alloy for you choose for the pump body.

DBY电动隔膜泵 DBY EUECTRIC/1 MENBRANE PUMP

型号 Model	流量 Capacity (m ³ /h)	自吸高度 Self-suction height (m)	(10)	出口压力 Outlet pressure (Mpa)	电机功率 转/分 Motor power (r/min)/(kW)	使用温度(°C) Work temperature		进口尺寸 (mm)	最大允许通过 颗粒直径 The max particle diameter (mm)	重 f t Weight (kg)
						铸铁 Cast iron	steel			
DBY-10	0.5	3	30	0.3	1450/0.55	90	150	10	1	50
DBY-15	0.75	3	30	0.3	1450/0.55	90	150	15	1	50
DBY-25	3.5	4	30	0.3	1450/1.5	90	150	25	2.5	170
DBY-40	4.5	4	30	0.3	1450/1.5	90	150	40	4.5	180
DBY-50	6.5	4.5	30	0.3	1450/3	90	150	50	8	400
DBY-65	8	4.5	30	0.3	1450/3	90	150	65	8	400
DBY-80	16	5	30	0.3	1450/5.5	90	150	80	10	610
DBY-100	20	5	30	0.3	1450/5.5	90	150	100	10	610

说明: 泵体介质流经部分, 可根据用户要求分为铸铁、不锈钢, 衬胶, 电机分为普通式和防爆式两种。

Note: There are cast iron, stainless steel, link with rubber for you choose for wearing part, and the motor we also have two type explosion protection type and normal type.



Membrane Pump Positive Displacement Pump Air-operated Diaphragm Pumps

We have two type of diaphragm pump, the DBY electric actuated diaphragm pump and the QBY air actuated diaphragm pump.

Product Description

We have two type of diaphragm pump, the DBY electric actuated diaphragm pump and the QBY air actuated diaphragm pump.

Character:

1. No need to irrigation medium first.
2. Self suction height is 7 meter.
3. It can transfer high viscosity liquid.

4. It can transfer liquid that has particle, which diameter is less or equal to 10mm.
5. It will never leak, because the delivered medium is separated from the transmission machinery on the diaphragm pump.
6. The pump has long lifetime because it has no shaft seal.
7. The air actuated diaphragm pump does not need electricity, so it can be used in dangerous occasions, such as combustible, explosive work condition. Also it can work immersed in medium and run idle without lubricating oil.

Typical Uses

The pump can be used to transfer not only water, but also corrosive medium, expensive liquid or the other physical and chemical medium. The medium temperature should be less or equal to 150°C. This product is widely apply to:

Chemical Industry	Petroleum Industry	Pharmaceutical Industry
Biological Industry	Nuclear Power Plant	Nonferrous Metal
Food Industry	Automotive Industry	Municipal Water Supply

PERFORMANCE PARAMETER

QBY气动隔膜泵 QBY AIR-ACTUATED MEMBRANE PUMP

型号 Model	流量 Capacity (m ³ /h)	扬程 Head (m)	出口压力 Outlet pressure (Mpa)	自吸高度 Self-suction height (m)	最大允许通过 颗粒直径 The max particle diameter (mm)	最大供气压力 Max air feed pressure (Mpa)	最大空气消耗量 Max air amount used (m ³ /min)
QBY-10	0-0.8	0*50	0.6	5	1	0.7	0.3
QBY-15	0-1	0-50	0.6	5	1	0.7	0.3
QBY-25	0-2.4	0-50	0.6	7	2.5	0.7	0.6
QBY-40	0-8	0-50	0.6	7	4.5	0.7	0.6
QBY-50	0-12	0-50	0.6	7	8	0.7	0.9
QBY-65	0~16	0~50	0.6	7	8	0.7	0.9
QBY-80	0-24	0*50	0.6	7	10	0.7	1.5
QBY-100	0~30	0-50	0.6	7	10	0.7	1.5

说明: 1. 最大空耗量即需配空压机容量;
2. 泵体材质分别为铝合金、铸铁、不锈钢、聚丙烯、衬胶, 氟合金。

Note: 1. The max air amount used is air compressor capability;
2. There are aluminum alloy, cast iron, stainless steel, RPP, link with rubber, fluorine alloy for you choose for the pump body.

DBY电动隔膜泵 DBY EUECTRIC/1 MENBRANE PUMP

型号 Model	流量 Capacity (m ³ /h)	自吸高度 Self-suction height (m)	(10)	出口压力 Outlet pressure (Mpa)	电机功率 转/分 Motor power (r/min)/(kW)	使用温度(°C) Work temperature		进口尺寸 (mm)	最大允许通过 颗粒直径 The max particle diameter (mm)	重 f t Weight (kg)
						铸铁 Cast iron	steel			
DBY-10	0.5	3	30	0.3	1450/0.55	90	150	10	1	50
DBY-15	0.75	3	30	0.3	1450/0.55	90	150	15	1	50
DBY-25	3.5	4	30	0.3	1450/1.5	90	150	25	2.5	170
DBY-40	4.5	4	30	0.3	1450/1.5	90	150	40	4.5	180
DBY-50	6.5	4.5	30	0.3	1450/3	90	150	50	8	400
DBY-65	8	4.5	30	0.3	1450/3	90	150	65	8	400
DBY-80	16	5	30	0.3	1450/5.5	90	150	80	10	610
DBY-100	20	5	30	0.3	1450/5.5	90	150	100	10	610

说明: 泵体介质流经部分, 可根据用户要求分为铸铁、不锈钢, 衬胶, 电机分为普通式和防爆式两种。

Note: There are cast iron, stainless steel, link with rubber for you choose for wearing part, and the motor we also have two type explosion protection type and normal type.



Electric Diaphragm Pump Air-Operated Membrane Pump

Membrane pump is a new pump. Our company has two types of membrane pump: QBY air-operated membrane & electric-operated membrane pump. The DBY type's outlet pressure should be lower than 3kgs/cm² while the QBY type's outlet pressure should be more than 6kgs/cm². Our membrane pumps are widely used in chemical, petrified, ceram, textile industries.

Product Description

Diaphragm pumps are made of nodular cast iron, aluminum alloy, stainless steel, engineering plastics, PVDF and other materials which can meet the needs of various links in chemical production.

隔膜泵是一种新型的泵类，近年来由于在隔膜材质上取得了突破性的进展，国际上越来越多的工业化国家采用此种型式的泵取代部分离心泵、螺杆泵来应用于石化、陶瓷、冶金、电子、纺织等行业，我公司目前生产的隔膜泵分为1)BY电动式和QBY气动式，DBY型隔膜泵适用于低压即出口压力 $\leq 3\text{kgf/cm}^2$ 的场合，QBY型隔膜泵采用压缩空气为动力源，出口压力 $\leq 6\text{kgf/cm}^2$ 。

Membrane pump is a new pump.our company have two type membrane pump QBY air-actuated membrane pump & DBY electric-actuated diaphragm pump. The DBY type's outlet pressure should be lower than 3kgf/cm^2 , QBY type's outlet pressure $\leq 6\text{kgf/cm}^2$, our membrane is applicable for petrified, ceram metallurgy, electon, QBY, DBY textile industry, etc.



DBY型 DBY TYPE

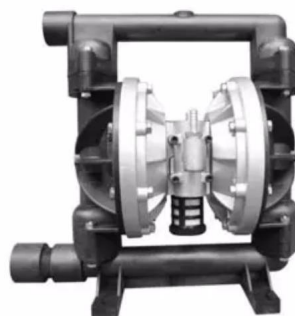
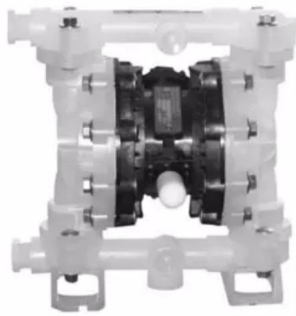
★隔膜泵既能抽送流动的液体，又能输送一些不易流动介质，具有自吸泵、潜水泵、屏蔽泵、泥浆泵和杂质泵等输送机械的许多优点：不需灌引水，自吸高度达7米以上；

★通过性能好，可输送较粘的液体(粘度在1万厘沱以下)直径在10毫米以下的颗粒、泥浆；

★由于隔膜将被输送介质与传动机械分开，介质绝对不会泄漏，且泵本身无轴封，使用寿命大大延长；

★气动隔膜泵还具有不必用电，在易燃、易爆场所使用安全可靠，可以浸没在介质中工作，可以空转，无须用油润滑等特点。

1. The membrane pump no need to diversion, self-suction height is 7m;
2. It is can be used to transfer the high viscosity liquid($\leq 10000 \text{ pas}$), particle diameter $\leq 10\text{mm}$;
3. It is will never leak,because the liquid is devided with drive mechanical part by the membrane. The pump could work long time because of the pump is no shaft seal;
4. The air-actuated membrane pump is no need to used electricity, so it is can be used in some dangerous occasion, like combustibile, explosive work condition, could immerge in liquid, try running is also no problem.



QBY型 QBY TYPE

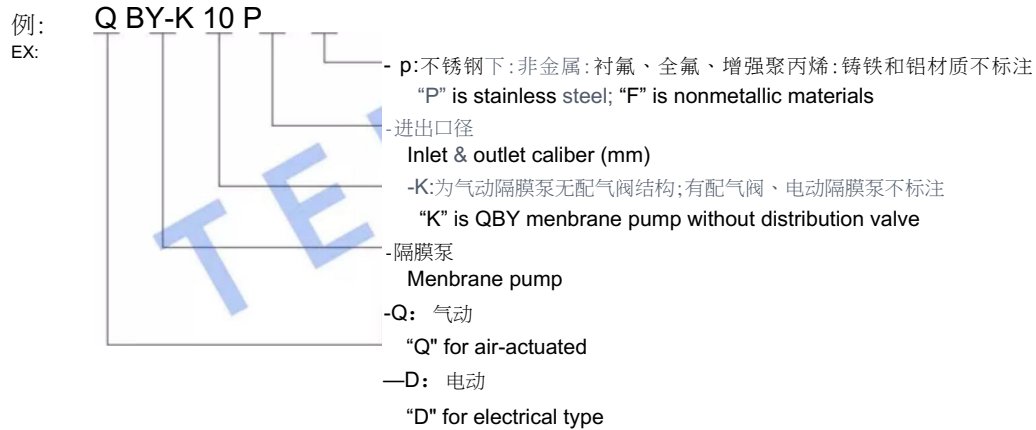


APPLIED RANGE

- 1、泵吸花生酱、泡菜、土豆泥、红肠、巧克力、啤酒花、糖浆等；
- 2、泵吸油漆、颜料、胶水、黏合剂等；
- 3、泵吸各种瓦、瓷、砖器及陶器釉浆等；
- 4、泵吸各种磨料， 腐蚀剂、清洗油垢等；
- 5、泵吸各种剧毒、 易燃，易挥发液体等；
- 6、泵吸各种污水、 水泥灌浆及灰浆等；
- 7、泵吸各种强酸、 强碱、强腐蚀液体等；
- 8、作为各种固液分离设备的前级送压装置。

- 1、 The pump can suck the peanut, pickles, tomato slurry, red sausage, chocolate, hops and syrup etc;
- 2、 The pump can suck the paint, pigment, glue and adhesive etc;
- 3、 The pump can suck various glazed slurries of tile, porcelain, brick and chinaware etc;
- 4、 The pump can suck various grinding materials, corrosive agent and clean the oil dirt etc;
- 5、 The pump can suck various toxin and flammable or volatility liquid etc;
- 6、 The pump can suck various wedge water, cement slurry and mortar etc;
- 7、 The pump can suck various strong acid, alkali and corrosive liquid etc;
- 8、 It can be used as a front-step transmission device of the solid and liquid separation equipment.

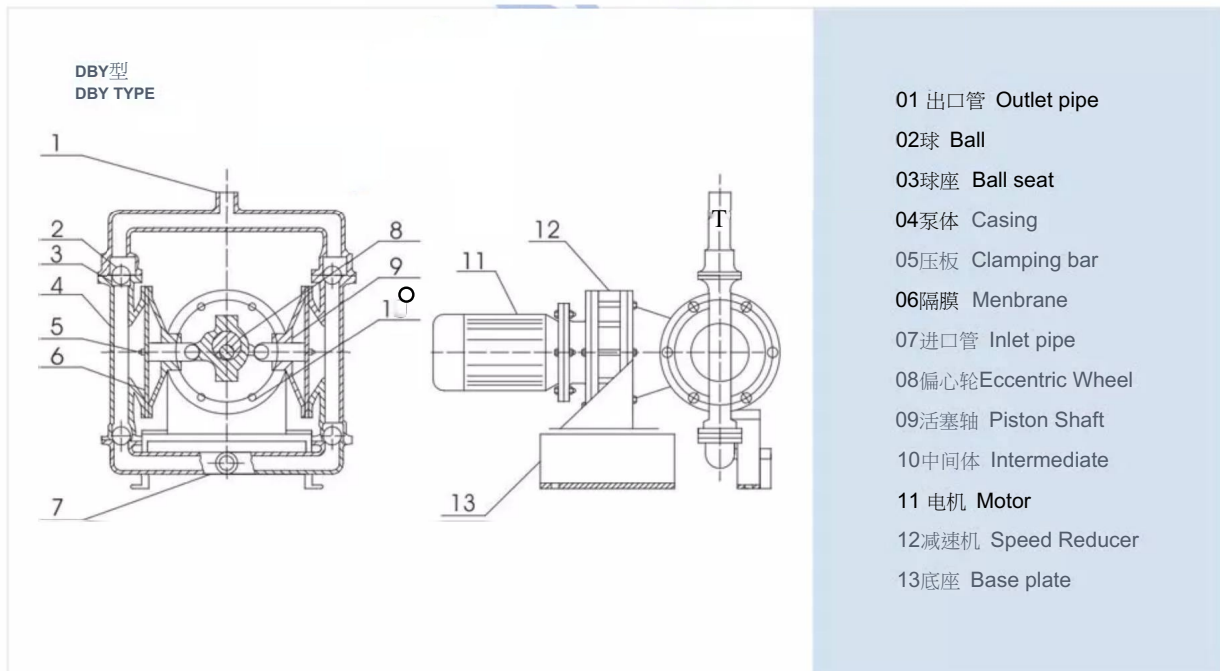
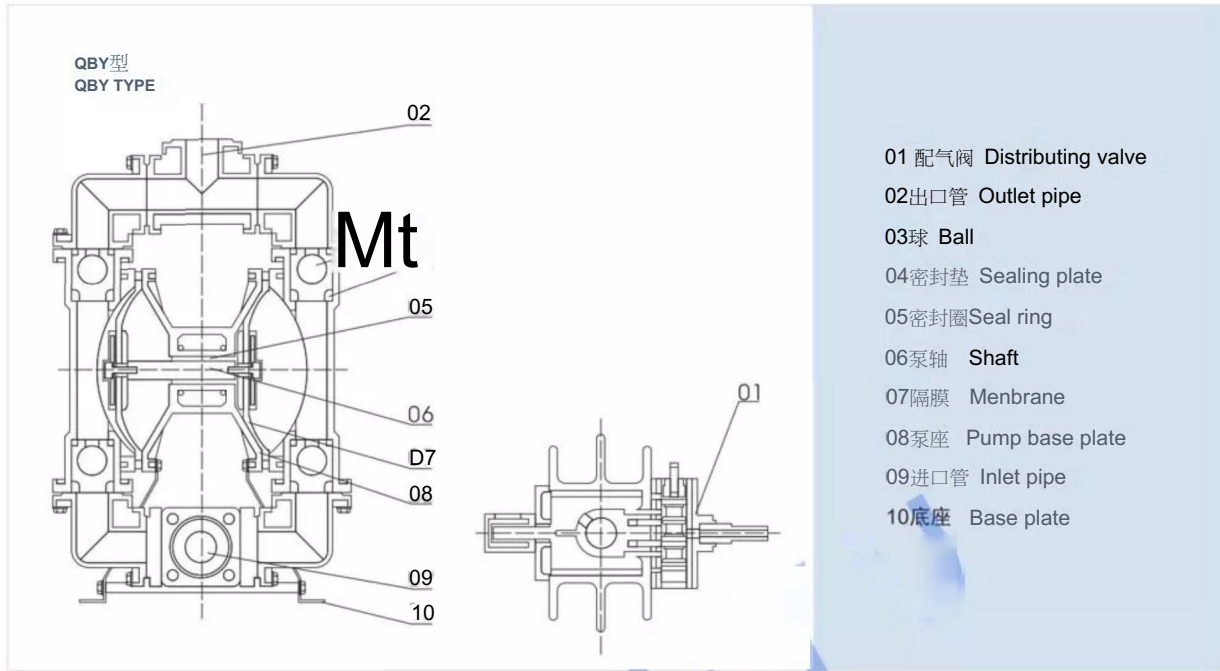
MEANING OF THE MODEL



OPERATION PARAMETER

口径: DN10 ~ DN100mm
流量: 0.8 ~ 30m³/h
压力: 0.3 ~ 0.6Mpa
转速: 1450r/min(DBY)
工作温度: <150°C
粘度: 多 10000mm²/s
排污能力: ^10mm
自吸高度: <7m

Caliber: DN 10 ~ DN100mm
Capacity: .8 ~ 30m³/h
Pressure :0.3 ~ 0.6Mpa
Rotate speed: 1450r/min(DBY)
Work temperature: ≧ 150^0
Viscosity: ^10000mm²/s
Discharge ability: ^10mm
Self-suction height: ^7m



PERFORMANCE PARAMETER

QBY气动隔膜泵 QBY AIR-ACTUATED MEMBRANE PUMP

型号 Model	流量 Capacity (mVh)	扬程 Head (m)	出口压力 Outlet pressure (Mpa)	自吸高度 Self-suction height (m)	最大允许通过 颗粒直径 The max particle diameter (mm)	最大供气压力 Max air feed pressure (Mpa)	最大空气消耗量 Max air amount used (m ³ /min)
QBY-10	0*0.8	0*50	0.6	5	1	0.7	0.3
QBY-15	0-1	0-50	0.6	5	1	0.7	0.3
QBY-25	0-2.4	0-50	0.6	7	2.5	0.7	0.6
QBY-40	0-8	0-50	0.6	7	4.5	0.7	0.6
QBY-50	0-12	0-50	0.6	7	8	0.7	0.9
QBY-65	0-16	0-50	0.6	7	8	0.7	0.9
QBY-80	0-24	0-50	0.6	7	10	0.7	1.5
QBY-100	0-30	0-50	0.6	7	10	0.7	1.5

说明: 1. 最大空耗量即需配空压机容量;
2. 泵体材质分别为铝合金、铸铁、不锈钢、聚丙烯、衬胶、氟合金。

Note: 1. The max air amount used is air compressor capability;
2. There are aluminum alloy, cast iron, stainless steel, RPP, link with rubber, fluorine alloy for you choose for the pump body.

DBY电动隔膜泵 DBY ELECTRIC MEMBRANE PUMP

型号 Model	流量 Capacity (m ³ /h)	自吸高度 Self-suction : (m)	进口压力 Inlet pressure (Mpa)	出口压力 Outlet pressure (Mpa)	电机功率 转/分 Motor power (r/min)/(kW)	使用温度(°C) Work temperature		进口尺寸 (mm)	最大允许通过 颗粒直径 The max particle diameter (mm)	重量 Weight (kg)
						铸铁 Cast iron	不锈钢 Stainless steel			
DBY-10	0.5	3	0.3	0.3	1450/0.55	90	150	10	1	50
DBY-15	0.75	3	0.3	0.3	1450/0.55	90	150	15	1	50
DBY-25	3.5	4	0.3	0.3	1450/1.5	90	150	25	2.5	170
DBY-40	4.5	4	0.3	0.3	1450/1.5	90	150	40	4.5	180
DBY-50	6.5	4.5	0.3	0.3	1450/3	90	150	50	8	400
DBY-65	8	4.5	0.3	0.3	1450/3	90	150	65	8	400
DBY-80	16	5	0.3	0.3	1450/5.5	90	150	80	10	610
DBY-100	20	5	0.3	0.3	1450/5.5	90	150	100	10	610

说明: 泵体介质流经部分, 可根据用户要求分为铸铁、不锈钢, 衬胶, 电机分为普通式和防爆式两种。

Note: There are cast iron, stainless steel, link with rubber for you choose for wearing part, and the motor we also have two type explosion protection type and normal type.

По вопросам продаж и поддержки обращайтесь:

Алматы (7273)495-231	Казань (843)206-01-48	Новокузнецк (3843)20-46-81	Смоленск (4812)29-41-54
Архангельск (8182)63-90-72	Калининград (4012)72-03-81	Новосибирск (383)227-86-73	Сочи (862)225-72-31
Астрахань (8512)99-46-04	Калуга (4842)92-23-67	Омск (3812)21-46-40	Ставрополь (8652)20-65-13
Барнаул (3852)73-04-60	Кемерово (3842)65-04-62	Орел (4862)44-53-42	Сургут (3462)77-98-35
Белгород (4722)40-23-64	Киров (8332)68-02-04	Оренбург (3532)37-68-04	Тверь (4822)63-31-35
Брянск (4832)59-03-52	Краснодар (861)203-40-90	Пенза (8412)22-31-16	Томск (3822)98-41-53
Владивосток (423)249-28-31	Красноярск (391)204-63-61	Пермь (342)205-81-47	Тула (4872)74-02-29
Волгоград (844)278-03-48	Курск (4712)77-13-04	Ростов-на-Дону (863)308-18-15	Тюмень (3452)66-21-18
Вологда (8172)26-41-59	Липецк (4742)52-20-81	Рязань (4912)46-61-64	Ульяновск (8422)24-23-59
Воронеж (473)204-51-73	Магнитогорск (3519)55-03-13	Самара (846)206-03-16	Уфа (347)229-48-12
Екатеринбург (343)384-55-89	Москва (495)268-04-70	Санкт-Петербург (812)309-46-40	Хабаровск (4212)92-98-04
Иваново (4932)77-34-06	Мурманск (8152)59-64-93	Саратов (845)249-38-78	Челябинск (351)202-03-61
Ижевск (3412)26-03-58	Набережные Челны (8552)20-53-41	Севастополь (8692)22-31-93	Череповец (8202)49-02-64
Иркутск (395)279-98-46	Нижний Новгород (831)429-08-12	Симферополь (3652)67-13-56	Ярославль (4852)69-52-93
Россия (495)268-04-70	Киргизия (996)312-96-26-47	Казахстан (7172)727-132	