

# ISG/ISW/ISB

## Технические характеристики

### По вопросам продаж и поддержки обращайтесь:

Алматы (7273)495-231	Казань (843)206-01-48	Новокузнецк (3843)20-46-81	Смоленск (4812)29-41-54
Архангельск (8182)63-90-72	Калининград (4012)72-03-81	Новосибирск (383)227-86-73	Сочи (862)225-72-31
Астрахань (8512)99-46-04	Калуга (4842)92-23-67	Омск (3812)21-46-40	Ставрополь (8652)20-65-13
Барнаул (3852)73-04-60	Кемерово (3842)65-04-62	Орел (4862)44-53-42	Сургут (3462)77-98-35
Белгород (4722)40-23-64	Киров (8332)68-02-04	Оренбург (3532)37-68-04	Тверь (4822)63-31-35
Брянск (4832)59-03-52	Краснодар (861)203-40-90	Пенза (8412)22-31-16	Томск (3822)98-41-53
Владивосток (423)249-28-31	Красноярск (391)204-63-61	Пермь (342)205-81-47	Тула (4872)74-02-29
Волгоград (844)278-03-48	Курск (4712)77-13-04	Ростов-на-Дону (863)308-18-15	Тюмень (3452)66-21-18
Вологда (8172)26-41-59	Липецк (4742)52-20-81	Рязань (4912)46-61-64	Ульяновск (8422)24-23-59
Воронеж (473)204-51-73	Магнитогорск (3519)55-03-13	Самара (846)206-03-16	Уфа (347)229-48-12
Екатеринбург (343)384-55-89	Москва (495)268-04-70	Санкт-Петербург (812)309-46-40	Хабаровск (4212)92-98-04
Иваново (4932)77-34-06	Мурманск (8152)59-64-93	Саратов (845)249-38-78	Челябинск (351)202-03-61
Ижевск (3412)26-03-58	Набережные Челны (8552)20-53-41	Севастополь (8692)22-31-93	Череповец (8202)49-02-64
Иркутск (395)279-98-46	Нижний Новгород (831)429-08-12	Симферополь (3652)67-13-56	Ярославль (4852)69-52-93
Россия (495)268-04-70	Киргизия (996)312-96-26-47	Казахстан (7172)727-132	



## Hot and Cold Water Pipeline Pump Single-stage Pump

ISG Series Pipeline Centrifugal Pump is a new type of pump with excellent hydraulic model and ingenious combination design on the basis of ordinary centrifugal pump. ISG is a vertical pipeline centrifugal pump. This series pump has the advantages of high efficiency, low noise, reliable performance.

### Product Description

Character:

1. Vertical installation, compact structure, small space occupying area.
2. Easy installation, the inlet and outlet diameter is the same and

on the same axis, which can be used as part of any pipeline.

3. Using the one of the world's most outstanding hydraulic model to reduce energy consumption.

4. The seal is reliable, and the shaft seal is mechanical seal made of hard alloy and tungsten carbide.

5. Vertical or horizontal installation can be adopted according to piping layout requirements.

Widely application:

Chemical Industry	Irrigation	Pharmaceutical Industry
Biological Industry	Municipal Water Supply	Nonferrous Metal
Food Industry	Automotive Industry	Municipal Water Supply

## GENERAL

ISGMSWMSB系列管道离心泵，是选用优秀水力模型，在普通离心泵的基础上进行巧妙组合设计而成的新型泵。ISG型为立式管道离心泵，ISW型为卧式离心泵，ISB型为便拆式管道离心泵。该系列泵具有高效节能、噪音低、性能可靠等优点。根据使用温度、介质等不同，派生出热水泵、高温泵、耐腐蚀性化工泵、油泵等。

ISGMSWMSB series pipeline centrifugal pumps are new type pump which they choose the outstanding hydraulic model, based on the common centrifugal pump to design. ISG is the vertical pipe centrifugal pump. ISW is the horizontal pipe centrifugal pump. ISB is the easy-disassembling pipe centrifugal pump. This series pumps are high-efficiency, energy-saving, low-noise, reliable-performance etc. there creating heat-exchanger pump, high-temperature pump, corrosion resistance chemical pump, oil pump etc according to the different of the temperature and the medium. They can meet their requirement on most occasions.

## APPLIED RANGE

1、ISGMSWMSB系列滴水管道泵，供输送清水及物理化学性质类似清水的液体之用。适用工业和城市给排水，高层建筑增压送水、园林喷灌、消防增压、远距离输水、暖通制冷循环、浴室冷热水循环增压及各种设备、锅炉的配套，使用温度 < 80°C；

2、IRG(GRG)\IRW\IRB系列热水泵广泛适用于能源、冶金、化工、纺织、造纸以及宾馆饭店等锅炉热水增压循环输送及城市采暖系统循环用泵，使用温度不高于 120°C (GRG型使用温度不高于 240°C)；

3、IHG\IHW\IHB系列化工管道泵，供输送不含固体颗粒，具有腐蚀性，粘度类似于水的液体，适用于石油、化工、冶金、电力、造纸、食品制药和合成纤维等部门，使用温度为-2 (rc~12(TC)；

4、YGWGB系列管道油泵，供输送汽油、煤油，柴油等油类产品或易燃、易爆液体，被输送介质温度为-20C-120C；

5、ISWD型低转速离心泵适用于要求环境噪音很低的情况，使用温度不高于10CTC。



IHG型  
IHG TYPE

IHB型  
IHB TYPE

IHW型  
IHW TYPE

1、ISGMSWMSB series clarified water pump are pumping clear water or the physics and chemical feature is similar to water which temperature  $\leq 80.C$ , can be used in industry, municipal water supply, pressurize supply water in high-rise building., irrigation in parks, distance pump water, etc;

2、IRG(GRG)\IRW\IRB hot water pump widely used in energy, metallurgy, chemical industry, textile industry, paper manufacturing industry, boiler hot water pressurize in hotel or restaurant and municipal heating system, etc. the work temperature  $\leq 120^{\circ}C$  (GRG temperature  $\leq 240V$ );

3、IHGMHWMHB series chemical pump could transfer the corrosive liquid which viscosity similar with water, without particle, for example petroleum, metallurgy, electric power, paper manufacturing industry, food, pharmaceuticals industry, synthetic fibre etc., the work temperature is  $-20^{\circ}C \sim 120X?$ ;

4、YGWGB pipe-line oil pump can be used in pumping oil products, such as the gas, coal oil, diesel fuel, etc. it is also could transfer the inflammable, explosive medium .work temperature is  $-20^{\circ}C \sim 120^{\circ}C$ ;

5、ISWD low rotate speed centrifugal pump is special for environment which is must low noise, the work temperature is lower than  $100^{\circ}C$ .



## 型号意义

## MEANING OF THE MODEL

ISG管道离心泵  
ISG pipe line centrifugal pump  
IRG热水管道泵  
IRG hot water pipeline pump  
GRG高温管泵  
GRG high-temperature pipeline pump  
IHG管道化工泵  
IHG pipeline-chemical pump  
YG管道离心油泵  
YG pipeline centrifugal oil pump  
ISW卧式离心泵  
ISW horizontal centrifugal pump  
IRW卧式热水泵  
IRW horizontal hot water pump  
IHG卧式化工泵  
IHG horizontal chemical pump  
ISWD卧式低转速离心泵  
ISWD horizontal low rotate centrifugal pump  
ISB便拆式管道离心泵  
ISB dismantlable pipeline centrifugal pump  
IRB便拆式热水管泵  
IRB dismantlable hot water pipeline pump  
IHG便拆式管道化工泵  
IHG dismantlable pipeline chemical pump  
YGB便拆式管道油泵  
YGB dismantlable pipeline oil pump

ISG B 80-160 (I) A

叶轮切割标记-----  
Times of the impeller cut L C: 第三次Third  
流量分类  
Capacity type  
叶轮名义直径  
Impeller diameter(mm)  
泵进、出口公称直径  
Inlet & Outlet diameter(mm)  
防爆电机(普通电机不标注;便拆式管道泵不标注电机信息)  
Explosion proof motor

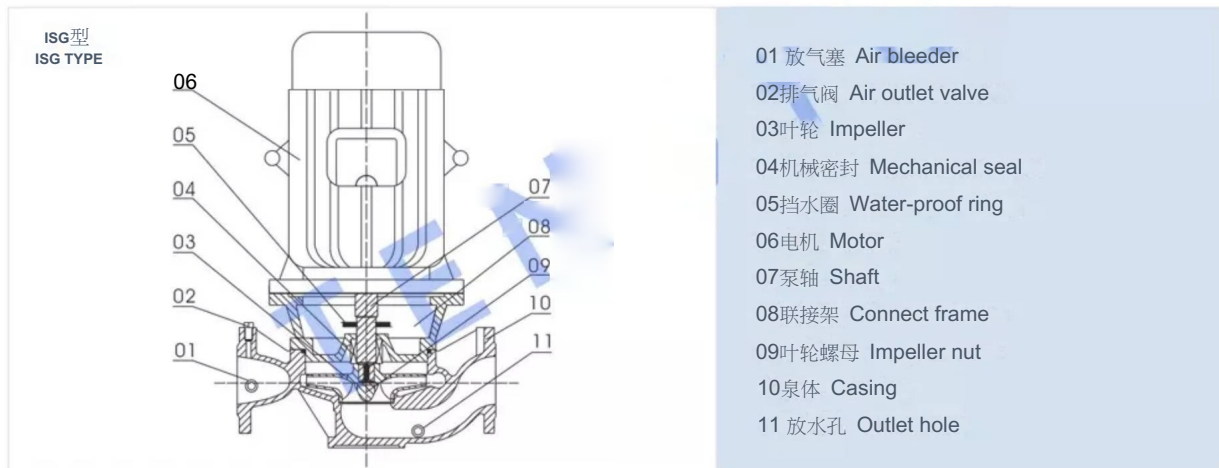
I-A 第一次First

B: 第二次Second

C: 第三次Third

## 结构特点

## STRUCTURE&CHARACTER

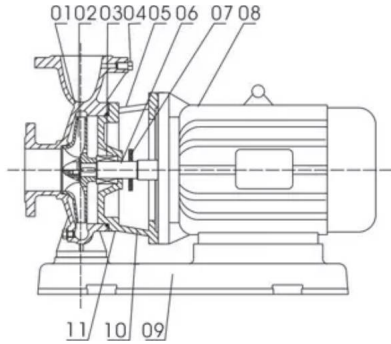


特点 CHARACTER:

- ★泵为立式结构，结构紧凑，占地面积小，建筑投入低；
- ★进出口口径相同，且位于同一中心线，安装方便；
- ★高效节能、性能可靠；
- ★密封可靠，轴封采用硬质合金及碳化钨等耐磨材质机械密封；
- ★可根据管路布置要求采用立式或横式安装。

1. The pump is vertical structure, compact structure, small floor area;
2. Caliber of the inlet is same as outlets', it is convenient to fix;
3. Low noise, high efficiency;
4. The material of the shaft seal is mechanical seal which is made by hard alloy or tungsten carbide;
5. Adept to the vertical or horizontal installation according to the distribution of pipes.

ISW型  
ISW TYPE



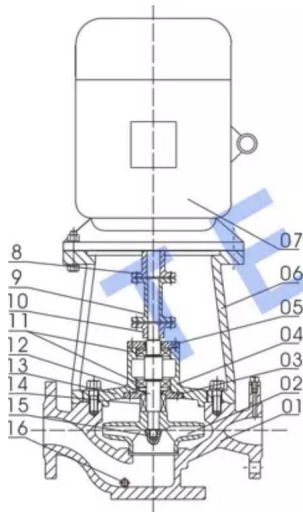
- 01 泵体 Casing
- 02 叶轮 Impeller
- 03 机械密封 Mechanical seal
- 04 排气阀 Air outlet valve
- 05 放气塞 Air-bleeder
- 06 泵轴 Shaft
- 07 挡水圈 Water-proof ring
- 08 电机 Motor
- 09 底座 Base plate
- 10 联接架 Connect frame
- 11 放水孔 Outlet hole

特点 CHARACTER:

- ★ 泵为卧式结构，电机和泵安装于同一底座，运行平稳，振动噪音低；
- ★ 结构简单合理，整机无故障工作长时间；
- ★ 泵为后开门式结构，无需拆动管路即可对泵进行维修；
- ★ 出口可向左、向上、向右三个方向，便于管路布置安装。

1. The pump is horizontal pump, motor and pump fix on one base, so the pump running quietly and smooth;
2. Reasonable and simple structure long running life;
3. The pump is back pullout structure, easy to repair;
4. You can fix pipe to left, up, right direction.

ISB型  
ISB TYPE



- 01 泵体 Casing
- 02 叶轮 Impeller
- 03 下轴承盖 Subjacent bearing cover
- 04 轴承座 Bearing block
- 05 上轴承盖 Upper bearing cover
- 06 联接架 Connect frame
- 07 电机 Motor
- 08 电机联轴器 Motor coupling
- 09 中间联轴器 Middle coupling
- 10 泵联轴器 Pump coupling
- 11 轴承 Bearing
- 12 泵轴 Shaft
- 13 泵盖 Pump cover
- 14 机械密封 Mechanical seal
- 15 叶轮螺母 Impeller nut
- 16 放水孔 Outlet hole

特点 CHARACTER:

- ★ 拥有普通管道泵的所有优点；
- ★ 采用独立轴承体、泵轴支撑，解决了原来立式泵靠电机轴承支撑的不足之处；
- ★ 电机采用Y系列标准通用电机，解决原立式泵加长轴电机配套更换难的问题；
- ★ 独特的泵盖结构设计，便于拆卸。

1. Independent bearing and shaft support, it is better than support by the motor shaft;
2. The special design of pump cover, it is very convenient to take out the bearing block, pump cover, pump shaft, impeller;
3. Use the “Y” series general purpose motor;
4. The special design in pump cover, it is convenient to disassembly and assembly.



## Industrial Centrifugal Chemical End Suction Pump Water Pump Oil Pump

ISG Series Pipeline Centrifugal Pump is a new type of pump with excellent hydraulic model and ingenious combination design on the basis of ordinary centrifugal pump. ISG is a vertical pipeline centrifugal pump. This series pump has the advantages of high efficiency, low noise, reliable performance.

### Product Description

Character:

1. Vertical installation, compact structure, small space occupying area.
2. Easy installation, the inlet and outlet diameter is the same and

on the same axis, which can be used as part of any pipeline.

3. Using the one of the world's most outstanding hydraulic model to reduce energy consumption.

4. The seal is reliable, and the shaft seal is mechanical seal made of hard alloy and tungsten carbide.

5. Vertical or horizontal installation can be adopted according to piping layout requirements.

Widely application:

Chemical Industry	Irrigation	Pharmaceutical Industry
Biological Industry	Municipal Water Supply	Nonferrous Metal
Food Industry	Automotive Industry	Municipal Water Supply

## GENERAL

ISGMSWMSB系列管道离心泵，是选用优秀水力模型，在普通离心泵的基础上进行巧妙组合设计而成的新型泵。ISG型为立式管道离心泵，ISW型为卧式离心泵，ISB型为便拆式管道离心泵。该系列泵具有高效节能、噪音低、性能可靠等优点。根据使用温度、介质等不同，派生出热水泵、高温泵、耐腐蚀性化工泵、油泵等。

ISGMSWMSB series pipeline centrifugal pumps are new type pump which they choose the outstanding hydraulic model, based on the common centrifugal pump to design. ISG is the vertical pipe centrifugal pump. ISW is the horizontal pipe centrifugal pump. ISB is the easy-disassembling pipe centrifugal pump. This series pumps are high-efficiency, energy-saving, low-noise, reliable-performance etc. there creating heat-exchanger pump, high-temperature pump, corrosion resistance chemical pump, oil pump etc according to the different of the temperature and the medium. They can meet their requirement on most occasions.

## APPLIED RANGE

1、ISGMSWMSB系列滴水管道泵，供输送清水及物理化学性质类似清水的液体之用。适用工业和城市给排水，高层建筑增压送水、园林喷灌、消防增压、远距离输水、暖通制冷循环、浴室冷热水循环增压及各种设备、锅炉的配套，使用温度 < 80°C；

2、IRG(GRG)\IRW\IRB系列热水泵广泛适用于能源、冶金、化工、纺织、造纸以及宾馆饭店等锅炉热水增压循环输送及城市采暖系统循环用泵，使用温度不高于 120°C (GRG型使用温度不高于 240°C)；

3、IHG\IHW\IHB系列化工管道泵，供输送不含固体颗粒，具有腐蚀性，粘度类似于水的液体，适用于石油、化工、冶金、电力、造纸、食品制药和合成纤维等部门，使用温度为-2 (rc~12(TC)；

4、YGWGB系列管道油泵，供输送汽油、煤油，柴油等油类产品或易燃、易爆液体，被输送介质温度为-20C-120C；

5、ISWD型低转速离心泵适用于要求环境噪音很低的情况，使用温度不高于10CTC。



1、ISGMSWMSB series clarified water pump are pumping clear water or the physics and chemical feature is similar to water which temperature  $\leq 80.C$ , can be used in industry, municipal water supply, pressurize supply water in high-rise building., irrigation in parks, distance pump water, etc;

2、IRG(GRG)\IRW\IRB hot water pump widely used in energy, metallurgy, chemical industry, textile industry, paper manufacturing industry, boiler hot water pressurize in hotel or restaurant and municipal heating system, etc. the work temperature  $\leq 120^{\circ}C$  (GRG temperature  $\leq 240V$ );

3、IHGMHWMHB series chemical pump could transfer the corrosive liquid which viscosity similar with water, without particle, for example petroleum, metallurgy, electric power, paper manufacturing industry, food, pharmaceuticals industry, synthetic fibre etc., the work temperature is  $-20^{\circ}C \sim 120X?$ ;

4、YGWGB pipe-line oil pump can be used in pumping oil products, such as the gas, coal oil, diesel fuel, etc. it is also could transfer the inflammable, explosive medium .work temperature is  $-20^{\circ}C \sim 120^{\circ}C$ ;

5、ISWD low rotate speed centrifugal pump is special for environment which is must low noise, the work temperature is lower than  $100^{\circ}C$ .

## 型号意义

## MEANING OF THE MODEL

ISG管道离心泵  
ISG pipe line centrifugal pump  
IRG热水管道泵  
IRG hot water pipeline pump  
GRG高温管泵  
GRG high-temperature pipeline pump  
IHG管道化工泵  
IHG pipeline-chemical pump  
YG管道离心油泵  
YG pipeline centrifugal oil pump  
ISW卧式离心泵  
ISW horizontal centrifugal pump  
IRW卧式热水泵  
IRW horizontal hot water pump  
IHG卧式化工泵  
IHG horizontal chemical pump  
ISWD卧式低转速离心泵  
ISWD horizontal low rotate centrifugal pump  
ISB便拆式管道离心泵  
ISB dismantlable pipeline centrifugal pump  
IRB便拆式热水管泵  
IRB dismantlable hot water pipeline pump  
IHG便拆式管道化工泵  
IHG dismantlable pipeline chemical pump  
YGB便拆式管道油泵  
YGB dismantlable pipeline oil pump

ISG B 80-160 (I) A

叶轮切割标记-----  
Times of the impeller cut L C: 第三次Third  
流量分类  
Capacity type  
叶轮名义直径  
Impeller diameter(mm)  
泵进、出口公称直径  
Inlet & Outlet diameter(mm)  
防爆电机(普通电机不标注;便拆式管道泵不标注电机信息)  
Explosion proof motor

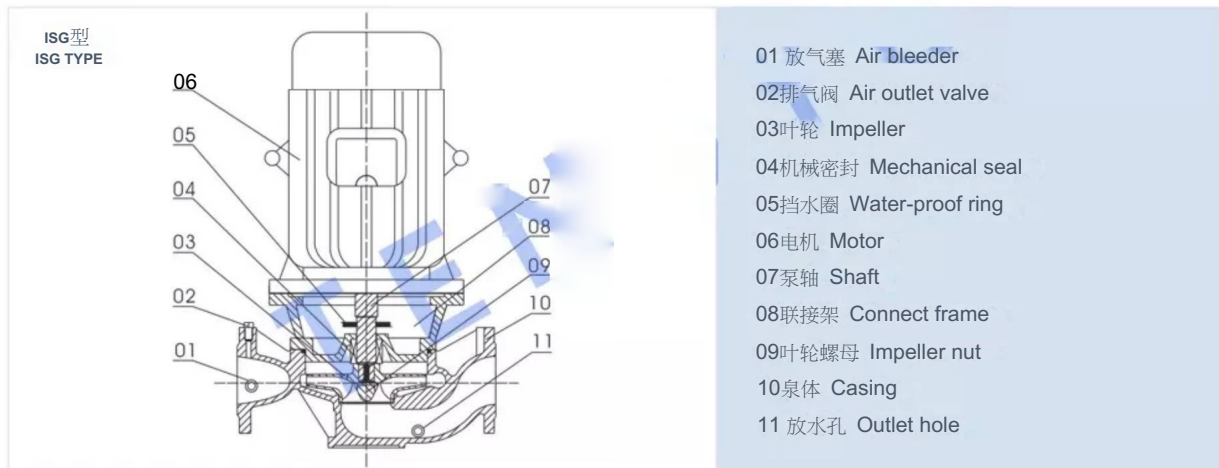
I-A 第一次First

B: 第二次Second

C: 第三次Third

## 结构特点

## STRUCTURE&CHARACTER

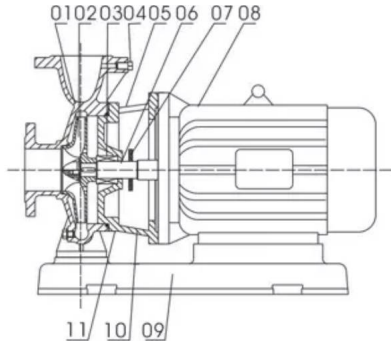


特点 CHARACTER:

- ★泵为立式结构，结构紧凑，占地面积小，建筑投入低；
- ★进出口口径相同，且位于同一中心线，安装方便；
- ★高效节能、性能可靠；
- ★密封可靠，轴封采用硬质合金及碳化钨等耐磨材质机械密封；
- ★可根据管路布置要求采用立式或横式安装。

1. The pump is vertical structure, compact structure, small floor area;
2. Caliber of the inlet is same as outlets', it is convenient to fix;
3. Low noise, high efficiency;
4. The material of the shaft seal is mechanical seal which is made by hard alloy or tungsten carbide;
5. Adept to the vertical or horizontal installation according to the distribution of pipes.

ISW型  
ISW TYPE



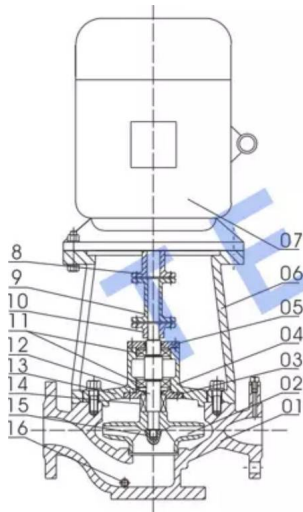
- 01 泵体 Casing
- 02 叶轮 Impeller
- 03 机械密封 Mechanical seal
- 04 排气阀 Air outlet valve
- 05 放气塞 Air-bleeder
- 06 泵轴 Shaft
- 07 挡水圈 Water-proof ring
- 08 电机 Motor
- 09 底座 Base plate
- 10 联接架 Connect frame
- 11 放水孔 Outlet hole

特点 CHARACTER:

- ★ 泵为卧式结构，电机和泵安装于同一底座，运行平稳，振动噪音低；
- ★ 结构简单合理，整机无故障工作长时间；
- ★ 泵为后开门式结构，无需拆动管路即可对泵进行维修；
- ★ 出口可向左、向上、向右三个方向，便于管路布置安装。

1. The pump is horizontal pump, motor and pump fix on one base, so the pump running quietly and smooth;
2. Reasonable and simple structure long running life;
3. The pump is back pullout structure, easy to repair;
4. You can fix pipe to left, up, right direction.

ISB型  
ISB TYPE



- 01 泵体 Casing
- 02 叶轮 Impeller
- 03 下轴承盖 Subjacent bearing cover
- 04 轴承座 Bearing block
- 05 上轴承盖 Upper bearing cover
- 06 联接架 Connect frame
- 07 电机 Motor
- 08 电机联轴器 Motor coupling
- 09 中间联轴器 Middle coupling
- 10 泵联轴器 Pump coupling
- 11 轴承 Bearing
- 12 泵轴 Shaft
- 13 泵盖 Pump cover
- 14 机械密封 Mechanical seal
- 15 叶轮螺母 Impeller nut
- 16 放水孔 Outlet hole

特点 CHARACTER:

- ★ 拥有普通管道泵的所有优点；
- ★ 采用独立轴承体、泵轴支撑，解决了原来立式泵靠电机轴承支撑的不足之处；
- ★ 电机采用Y系列标准通用电机，解决原立式泵加长轴电机配套更换难的问题；
- ★ 独特的泵盖结构设计，便于拆卸。

1. Independent bearing and shaft support, it is better than support by the motor shaft;
2. The special design of pump cover, it is very convenient to take out the bearing block, pump cover, pump shaft, impeller;
3. Use the "Y" series general purpose motor;
4. The special design in pump cover, it is convenient to disassembly and assembly.





## Vertical Pipeline Centrifugal Pump Hot Water Circulating Pump

ISG Series Pipeline Centrifugal Pump is a new type of pump with excellent hydraulic model and ingenious combination design on the basis of ordinary centrifugal pump. ISG is a vertical pipeline centrifugal pump. This series pump has the advantages of high efficiency, low noise, reliable performance.

### Product Description

Character:

1. Vertical installation, compact structure, small space occupying area.
2. Easy installation, the inlet and outlet diameter is the same and



on the same axis, which can be used as part of any pipeline.

3. Using the one of the world's most outstanding hydraulic model to reduce energy consumption.

4. The seal is reliable, and the shaft seal is mechanical seal made of hard alloy and tungsten carbide.

5. Vertical or horizontal installation can be adopted according to piping layout requirements.

Widely application:

Chemical Industry	Irrigation	Pharmaceutical Industry
Biological Industry	Municipal Water Supply	Nonferrous Metal
Food Industry	Automotive Industry	Municipal Water Supply

## GENERAL

ISGMSWMSB系列管道离心泵，是选用优秀水力模型，在普通离心泵的基础上进行巧妙组合设计而成的新型泵。ISG型为立式管道离心泵，ISW型为卧式离心泵，ISB型为便拆式管道离心泵。该系列泵具有高效节能、噪音低、性能可靠等优点。根据使用温度、介质等不同，派生出热水泵、高温泵、耐腐蚀性化工泵、油泵等。

ISGMSWMSB series pipeline centrifugal pumps are new type pump which they choose the outstanding hydraulic model, based on the common centrifugal pump to design. ISG is the vertical pipe centrifugal pump. ISW is the horizontal pipe centrifugal pump. ISB is the easy-disassembling pipe centrifugal pump. This series pumps are high-efficiency, energy-saving, low-noise, reliable-performance etc. there creating heat-exchanger pump, high-temperature pump, corrosion resistance chemical pump, oil pump etc according to the different of the temperature and the medium. They can meet their requirement on most occasions.

## APPLIED RANGE

1、ISGMSWMSB系列滴水管道泵，供输送清水及物理化学性质类似清水的液体之用。适用工业和城市给排水，高层建筑增压送水、园林喷灌、消防增压、远距离输水、暖通制冷循环、浴室冷热水循环增压及各种设备、锅炉的配套，使用温度 < 80°C；

2、IRG(GRG)\IRW\IRB系列热水泵广泛适用于能源、冶金、化工、纺织、造纸以及宾馆饭店等锅炉热水增压循环输送及城市采暖系统循环用泵，使用温度不高于 120°C (GRG 型使用温度不高于 240°C)；

3、IHG\IHW\IHB系列化工管道泵，供输送不含固体颗粒，具有腐蚀性，粘度类似于水的液体，适用于石油、化工、冶金、电力、造纸、食品制药和合成纤维等部门，使用温度为-2 (rc~12(TC)；

4、YGWGB系列管道油泵，供输送汽油、煤油，柴油等油类产品或易燃、易爆液体，被输送介质温度为-20C-120C；

5、ISWD型低转速离心泵适用于要求环境噪音很低的情况，使用温度不高于10CTC。



1、ISGMSWMSB series clarified water pump are pumping clear water or the physics and chemical feature is similar to water which temperature  $\leq 80.C$ , can be used in industry, municipal water supply, pressurize supply water in high-rise building., irrigation in parks, distance pump water, etc;

2、IRG(GRG)\IRW\IRB hot water pump widely used in energy, metallurgy, chemical industry, textile industry, paper manufacturing industry, boiler hot water pressurize in hotel or restaurant and municipal heating system, etc. the work temperature  $\leq 120^{\circ}C$  (GRG temperature  $\leq 240V$ );

3、IHGMHWMHB series chemical pump could transfer the corrosive liquid which viscosity similar with water, without particle, for example petroleum, metallurgy, electric power, paper manufacturing industry, food, pharmaceuticals industry, synthetic fibre etc., the work temperature is  $-20^{\circ}C \sim 120X?$ ;

4、YGWGB pipe-line oil pump can be used in pumping oil products, such as the gas, coal oil, diesel fuel, etc. it is also could transfer the inflammable, explosive medium .work temperature is  $-20^{\circ}C \sim 120^{\circ}C$ ;

5、ISWD low rotate speed centrifugal pump is special for environment which is must low noise, the work temperature is lower than  $100^{\circ}C$ .

## 型号意义

## MEANING OF THE MODEL

ISG管道离心泵  
ISG pipe line centrifugal pump  
IRG热水管道泵  
IRG hot water pipeline pump  
GRG高温管泵  
GRG high-temperature pipeline pump  
IHG管道化工泵  
IHG pipeline-chemical pump  
YG管道离心油泵  
YG pipeline centrifugal oil pump  
ISW卧式离心泵  
ISW horizontal centrifugal pump  
IRW卧式热水泵  
IRW horizontal hot water pump  
IHG卧式化工泵  
IHG horizontal chemical pump  
ISWD卧式低转速离心泵  
ISWD horizontal low rotate centrifugal pump  
ISB便拆式管道离心泵  
ISB dismantlable pipeline centrifugal pump  
IRB便拆式热水管泵  
IRB dismantlable hot water pipeline pump  
IHG便拆式管道化工泵  
IHG dismantlable pipeline chemical pump  
YGB便拆式管道油泵  
YGB dismantlable pipeline oil pump

ISG B 80-160 (I) A

叶轮切割标记-----  
Times of the impeller cut L C: 第三次Third  
流量分类  
Capacity type  
叶轮名义直径  
Impeller diameter(mm)  
泵进、出口公称直径  
Inlet & Outlet diameter(mm)  
防爆电机(普通电机不标注;便拆式管道泵不标注电机信息)  
Explosion proof motor

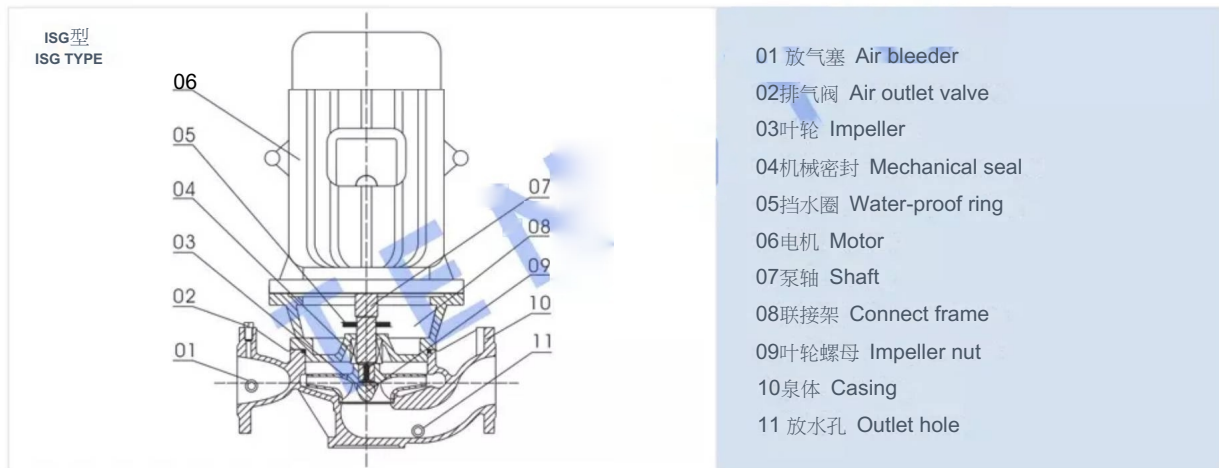
I-A 第一次First

B: 第二次Second

C: 第三次Third

## 结构特点

## STRUCTURE&CHARACTER

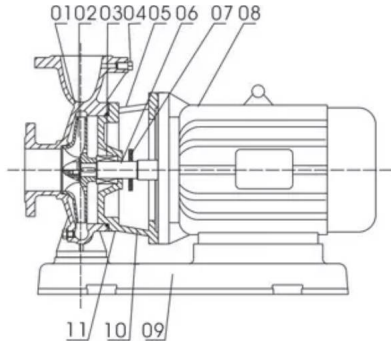


特点 CHARACTER:

- ★泵为立式结构，结构紧凑，占地面积小，建筑投入低；
- ★进出口口径相同，且位于同一中心线，安装方便；
- ★高效节能、性能可靠；
- ★密封可靠，轴封采用硬质合金及碳化钨等耐磨材质机械密封；
- ★可根据管路布置要求采用立式或横式安装。

1. The pump is vertical structure, compact structure, small floor area;
2. Caliber of the inlet is same as outlets', it is convenient to fix;
3. Low noise, high efficiency;
4. The material of the shaft seal is mechanical seal which is made by hard alloy or tungsten carbide;
5. Adept to the vertical or horizontal installation according to the distribution of pipes.

ISW型  
ISW TYPE



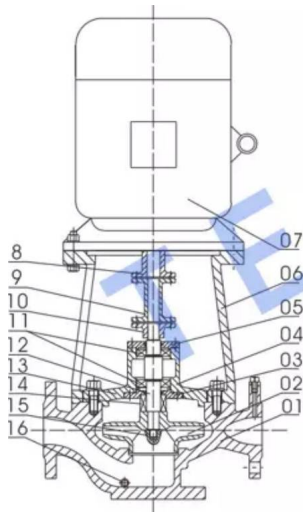
- 01 泵体 Casing
- 02 叶轮 Impeller
- 03 机械密封 Mechanical seal
- 04 排气阀 Air outlet valve
- 05 放气塞 Air-bleeder
- 06 泵轴 Shaft
- 07 挡水圈 Water-proof ring
- 08 电机 Motor
- 09 底座 Base plate
- 10 联接架 Connect frame
- 11 放水孔 Outlet hole

特点 CHARACTER:

- ★ 泵为卧式结构，电机和泵安装于同一底座，运行平稳，振动噪音低；
- ★ 结构简单合理，整机无故障工作长时间；
- ★ 泵为后开门式结构，无需拆动管路即可对泵进行维修；
- ★ 出口可向左、向上、向右三个方向，便于管路布置安装。

1. The pump is horizontal pump, motor and pump fix on one base, so the pump running quietly and smooth;
2. Reasonable and simple structure long running life;
3. The pump is back pullout structure, easy to repair;
4. You can fix pipe to left, up, right direction .

ISB型  
ISB TYPE



- 01 泵体 Casing
- 02 叶轮 Impeller
- 03 下轴承盖 Subjacent bearing cover
- 04 轴承座 Bearing block
- 05 上轴承盖 Upper bearing cover
- 06 联接架 Connect frame
- 07 电机 Motor
- 08 电机联轴器 Motor coupling
- 09 中间联轴器 Middle coupling
- 10 泵联轴器 Pump coupling
- 11 轴承 Bearing
- 12 泵轴 Shaft
- 13 泵盖 Pump cover
- 14 机械密封 Mechanical seal
- 15 叶轮螺母 Impeller nut
- 16 放水孔 Outlet hole

特点 CHARACTER:

- ★ 拥有普通管道泵的所有优点；
- ★ 采用独立轴承体、泵轴支撑，解决了原来立式泵靠电机轴支撑的不足之处；
- ★ 电机采用Y系列标准通用电机，解决原立式泵加长轴电机配套更换难的问题；
- ★ 独特的泵盖结构设计，便于拆卸。

1. Independent bearing and shaft support, it is better than support by the motor shaft;
2. The special design of pump cover, it is very convenient to take out the bearing block, pump cover, pump shaft, impeller;
3. Use the “Y” series general purpose motor;
4. The special design in pump cover, it is convenient to disassembly and assembly.



## Cast Iron Close Coupled Vertical Inline Pump (ISG), Pipeline Pump, Boosting Pump, Fire Pump, Electric Pump, Centrifugal Pump, Water Pump

ISG Series Pipeline Centrifugal Pump is a new type of pump with excellent hydraulic model and ingenious combination design on the basis of ordinary centrifugal pump. ISG is a vertical pipeline centrifugal pump. This series pump has the advantages of high efficiency, low noise, reliable performance.

### Product Description

Character:

1. Vertical installation, compact structure, small space occupying

area.

2. Easy installation, the inlet and outlet diameter is the same and on the same axis, which can be used as part of any pipeline.
3. Using the one of the world's most outstanding hydraulic model to reduce energy consumption.
4. The seal is reliable, and the shaft seal is mechanical seal made of hard alloy and tungsten carbide.
5. Vertical or horizontal installation can be adopted according to piping layout requirements.

Widely application:

Chemical Industry	Irrigation	Pharmaceutical Industry
Biological Industry	Municipal Water Supply	Nonferrous Metal
Food Industry	Automotive Industry	Municipal Water Supply

ISGMSWMSB系列管道离心泵，是选用优秀水力模型，在普通离心泵的基础上进行巧妙组合设计而成的新型泵。ISG型为立式管道离心泵，ISW型为卧式离心泵，ISB型为便拆式管道离心泵。该系列泵具有高效节能、噪音低、性能可靠等优点。根据使用温度、介质等不同，派生出热水泵、高温泵、耐腐蚀性化工泵、油泵等。

ISGMSWMSB series pipeline centrifugal pumps are new type pump which they choose the outstanding hydraulic model, based on the common centrifugal pump to design. ISG is the vertical pipe centrifugal pump. ISW is the horizontal pipe centrifugal pump. ISB is the easy-disassembling pipe centrifugal pump. This series pumps are high-efficiency, energy-saving, low-noise, reliable-performance etc. there creating heat-exchanger pump, high-temperature pump, corrosion resistance chemical pump, oil pump etc according to the different of the temperature and the medium. They can meet their requirement on most occasions.

1、ISGMSWMSB系列滴水管道泵，供输送清水及物理化学性质类似清水的液体之用。适用工业和城市给排水，高层建筑增压送水、园林喷灌、消防增压、远距离输水、暖通制冷循环、浴室冷热水循环增压及各种设备、锅炉的配套，使用温度 <math>80^{\circ}\text{C}</math>；

2、IRG(GRG)\IRW\IRB系列热水泵广泛适用于能源、冶金、化工、纺织、造纸以及宾馆饭店等锅炉热水增压循环输送及城市采暖系统循环用泵，使用温度不高于  $120^{\circ}\text{C}$  (GRG型使用温度不高于  $240^{\circ}\text{C}$ )；

3、IHG\IHW\IHB系列化工管道泵，供输送不含固体颗粒，具有腐蚀性，粘度类似于水的液体，适用于石油、化工、冶金、电力、造纸、食品制药和合成纤维等部门，使用温度为  $-2^{\circ}\text{C}$ ~ $120^{\circ}\text{C}$ ；

4、YGWGB系列管道油泵，供输送汽油、煤油、柴油等油类产品或易燃、易爆液体，被输送介质温度为  $-20^{\circ}\text{C}$ ~ $120^{\circ}\text{C}$ ；

5、ISWD型低转速离心泵适用于要求环境噪音很低的情况，使用温度不高于  $100^{\circ}\text{C}$ 。



1、ISGMSWMSB series clarified water pump are pumping clear water or the physics and chemical feature is similar to water which temperature  $\leq 80^{\circ}\text{C}$ , can be used in industry, municipal water supply, pressurize supply water in high-rise building, irrigation in parks, distance pump water, etc;

2、IRG(GRG)\IRW\IRB hot water pump widely used in energy, metallurgy, chemical industry, textile industry, paper manufacturing industry, boiler hot water pressurize in hotel or restaurant and municipal heating system, etc. the work temperature  $\leq 120^{\circ}\text{C}$  (GRG temperature  $\leq 240^{\circ}\text{C}$ );

3、IHGMHWMHB series chemical pump could transfer the corrosive liquid which viscosity similar with water, without particle, for example petroleum, metallurgy, electric power, paper manufacturing industry, food, pharmaceuticals industry, synthetic fibre etc., the work temperature is  $-20^{\circ}\text{C}$ ~ $120^{\circ}\text{C}$ ;

4、YGWGB pipe-line oil pump can be used in pumping oil products, such as the gas, coal oil, diesel fuel, etc. it is also could transfer the inflammable, explosive medium. work temperature is  $-20^{\circ}\text{C}$ ~ $120^{\circ}\text{C}$ ;

5、ISWD low rotate speed centrifugal pump is special for environment which is must low noise, the work temperature is lower than  $100^{\circ}\text{C}$ .



## 型号意义

## MEANING OF THE MODEL

ISG管道离心泵  
ISG pipe line centrifugal pump  
IRG热水管道泵  
IRG hot water pipeline pump  
GRG高温管泵  
GRG high-temperature pipeline pump  
IHG管道化工泵  
IHG pipeline-chemical pump  
YG管道离心油泵  
YG pipeline centrifugal oil pump  
ISW卧式离心泵  
ISW horizontal centrifugal pump  
IRW卧式热水泵  
IRW horizontal hot water pump  
IHW卧式化工泵  
IHW horizontal chemical pump  
ISWD卧式低转速离心泵  
ISWD horizontal low rotate centrifugal pump  
ISB便拆式管道离心泵  
ISB dismantlable pipeline centrifugal pump  
IRB便拆式热水管泵  
IRB dismantlable hot water pipeline pump  
IHB便拆式管道化工泵  
IHB dismantlable pipeline chemical pump  
YGB便拆式管道油泵  
YGB dismantlable pipeline oil pump

ISG B 80-160 (I) A

叶轮切割标记-----  
Times of the impeller cut L C: 第三次Third  
流量分类  
Capacity type  
叶轮名义直径  
Impeller diameter(mm)  
泵进、出口公称直径  
Inlet & Outlet diameter(mm)  
防爆电机(普通电机不标注;便拆式管道泵不标注电机信息)  
Explosion proof motor

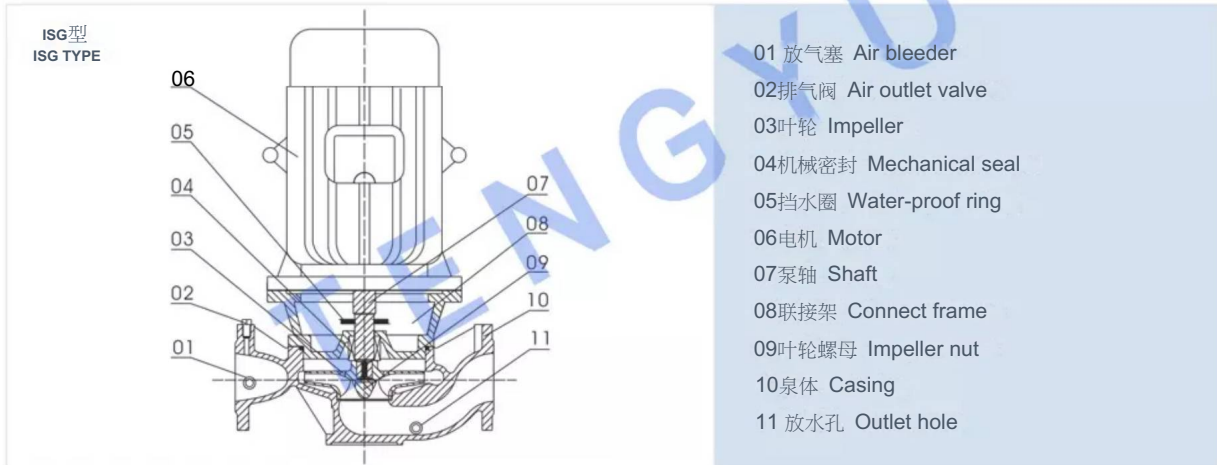
I-A 第一次First

B: 第二次Second

C: 第三次Third

## 结构特点

## STRUCTURE&CHARACTER

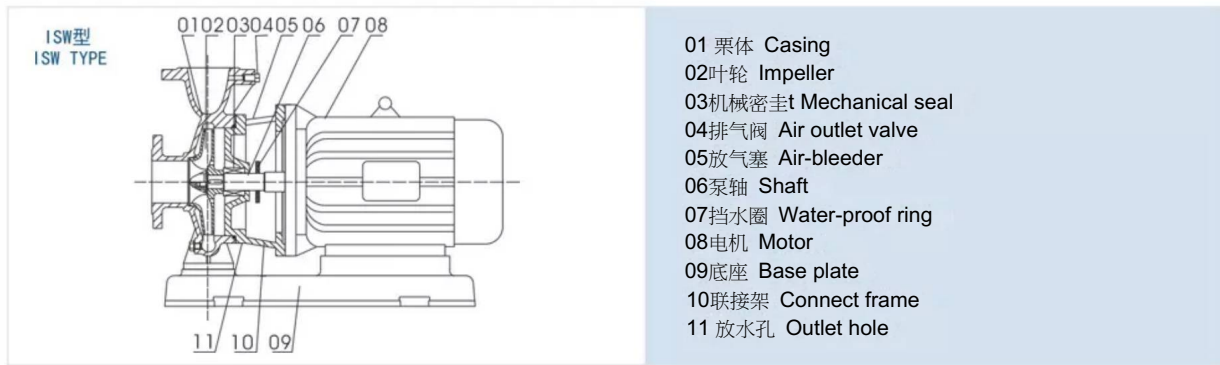


特点 CHARACTER:

- ★泵为立式结构，结构紧凑，占地面积小，建筑投入低；
- ★进出口口径相同，且位于同一中心线，安装方便；
- ★高效节能、性能可靠；
- ★密封可靠，轴封采用硬质合金及碳化钨等耐磨材质机械密封；
- ★可根据管路布置要求采用立式或横式安装。

1. The pump is vertical structure, compact structure, small floor area;
2. Caliber of the inlet is same as outlets', it is convenient to fix;
3. Low noise, high efficiency;
4. The material of the shaft seal is mechanical seal which is made by hard alloy or tungsten carbide;
5. Adept to the vertical or horizontal installation according to the distribution of pipes.



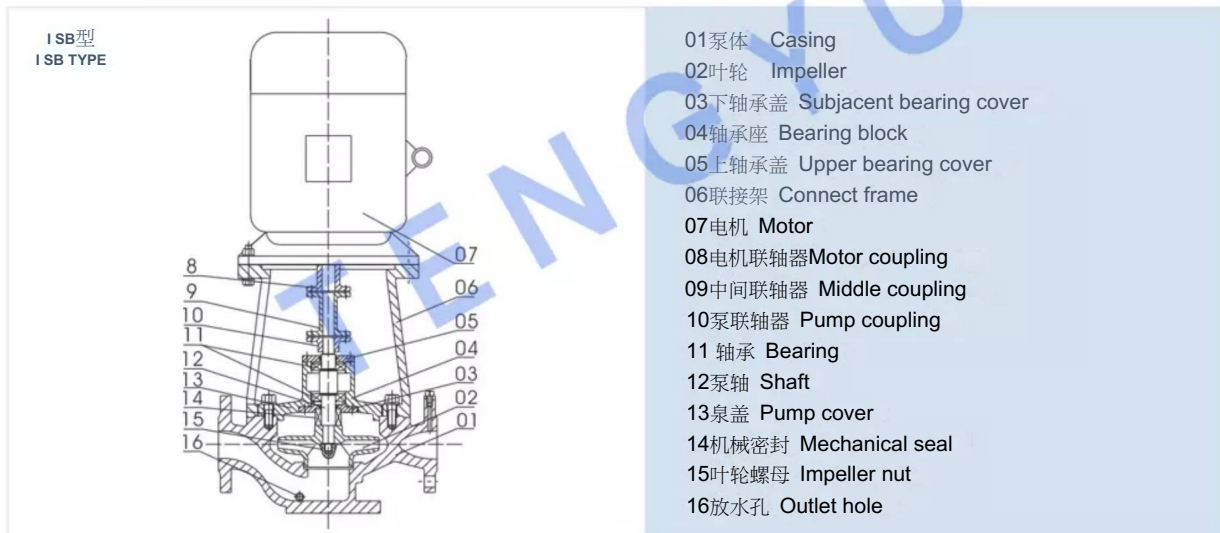


- 01 泵体 Casing
- 02 叶轮 Impeller
- 03 机械密封 Mechanical seal
- 04 排气阀 Air outlet valve
- 05 放气塞 Air-bleeder
- 06 泵轴 Shaft
- 07 挡水圈 Water-proof ring
- 08 电机 Motor
- 09 底座 Base plate
- 10 联接架 Connect frame
- 11 放水孔 Outlet hole

特点 CHARACTER:

- ★ 泵为卧式结构，电机和泵安装于同一底座，运行平稳，振动噪音低；
- ★ 结构简单合理，整机无故障工作长时间；
- ★ 泵为后开门式结构，无需拆动管路即可对泵进行维修；
- ★ 出口可向左、向上、向右三个方向，便于管路布置安装。

1. The pump is horizontal pump, motor and pump fix on one base, so the pump running quietly and smooth;
2. Reasonable and simple structure Long running life;
3. The pump is back pullout structure, easy to repair;
4. You can fix pipe to left, up, right direction .



- 01 泵体 Casing
- 02 叶轮 Impeller
- 03 下轴承盖 Subjacent bearing cover
- 04 轴承座 Bearing block
- 05 上轴承盖 Upper bearing cover
- 06 联接架 Connect frame
- 07 电机 Motor
- 08 电机联轴器 Motor coupling
- 09 中间联轴器 Middle coupling
- 10 泵联轴器 Pump coupling
- 11 轴承 Bearing
- 12 泵轴 Shaft
- 13 泵盖 Pump cover
- 14 机械密封 Mechanical seal
- 15 叶轮螺母 Impeller nut
- 16 放水孔 Outlet hole

特点 CHARACTER:

- ★ 拥有普通管道泵的所有优点；
- ★ 采用独立轴承体、泵轴支撑，解决了原来立式泵靠电机轴承支撑的不足之处；
- ★ 电机采用Y系列标准通用电机，解决原立式泵加长轴电机配套更换难的问题；
- ★ 独特的泵盖结构设计，便于拆卸。

1. Independent bearing and shaft support, it is better than support by the motor shaft;
2. The special design of pump cover, it is very convenient to take out the bearing block, pump cover, pump shaft, impeller;
3. Use the “Y” serious general purpose motor;
4. The special design in pump cover, it is convenience to disassembly and assembly.



## Energy Saving Water Treatment Centrifugal Inline Water Pumps

ISG Series Pipeline Centrifugal Pump is a new type of pump with excellent hydraulic model and ingenious combination design on the basis of ordinary centrifugal pump. ISG is a vertical pipeline centrifugal pump. This series pump has the advantages of high efficiency, low noise, reliable performance.

### Product Description

Character:

1. Vertical installation, compact structure, small space occupying area.
2. Easy installation, the inlet and outlet diameter is the same and

on the same axis, which can be used as part of any pipeline.

3. Using the one of the world's most outstanding hydraulic model to reduce energy consumption.

4. The seal is reliable, and the shaft seal is mechanical seal made of hard alloy and tungsten carbide.

5. Vertical or horizontal installation can be adopted according to piping layout requirements.

Widely application:

Chemical Industry	Irrigation	Pharmaceutical Industry
Biological Industry	Municipal Water Supply	Nonferrous Metal
Food Industry	Automotive Industry	Municipal Water Supply

## GENERAL

ISGMSWMSB系列管道离心泵，是选用优秀水力模型，在普通离心泵的基础上进行巧妙组合设计而成的新型泵。ISG型为立式管道离心泵，ISW型为卧式离心泵，ISB型为便拆式管道离心泵。该系列泵具有高效节能、噪音低、性能可靠等优点。根据使用温度、介质等不同，派生出热水泵、高温泵、耐腐蚀性化工泵、油泵等。

ISGMSWMSB series pipeline centrifugal pumps are new type pump which they choose the outstanding hydraulic model, based on the common centrifugal pump to design. ISG is the vertical pipe centrifugal pump. ISW is the horizontal pipe centrifugal pump. ISB is the easy-disassembling pipe centrifugal pump. This series pumps are high-efficiency, energy-saving, low-noise, reliable-performance etc. there creating heat-exchanger pump, high-temperature pump, corrosion resistance chemical pump, oil pump etc according to the different of the temperature and the medium. They can meet their requirement on most occasions.

## APPLIED RANGE

1、ISGMSWMSB系列滴水管道泵，供输送清水及物理化学性质类似清水的液体之用。适用工业和城市给排水，高层建筑增压送水、园林喷灌、消防增压、远距离输水、暖通制冷循环、浴室冷热水循环增压及各种设备、锅炉的配套，使用温度 < 80°C；

2、IRG(GRG)\IRW\IRB系列热水泵广泛适用于能源、冶金、化工、纺织、造纸以及宾馆饭店等锅炉热水增压循环输送及城市采暖系统循环用泵，使用温度不高于 120°C (GRG型使用温度不高于 240°C)；

3、IHG\IHW\IHB系列化工管道泵，供输送不含固体颗粒，具有腐蚀性，粘度类似于水的液体，适用于石油、化工、冶金、电力、造纸、食品制药和合成纤维等部门，使用温度为-2 (rc~12(TC)；

4、YGWGB系列管道油泵，供输送汽油、煤油，柴油等油类产品或易燃、易爆液体，被输送介质温度为-20C-120C；

5、ISWD型低转速离心泵适用于要求环境噪音很低的情况，使用温度不高于10CTC。



1、ISGMSWMSB series clarified water pump are pumping clear water or the physics and chemical feature is similar to water which temperature  $\leq 80.C$ , can be used in industry, municipal water supply, pressurize supply water in high-rise building., irrigation in parks, distance pump water, etc;

2、IRG(GRG)\IRW\IRB hot water pump widely used in energy, metallurgy, chemical industry, textile industry, paper manufacturing industry, boiler hot water pressurize in hotel or restaurant and municipal heating system, etc. the work temperature  $\leq 120^{\circ}C$  (GRG temperature  $\leq 240V$ );

3、IHGMHWMHB series chemical pump could transfer the corrosive liquid which viscosity similar with water, without particle, for example petroleum, metallurgy, electric power, paper manufacturing industry, food, pharmaceuticals industry, synthetic fibre etc., the work temperature is  $-20^{\circ}C \sim 120X?$ ;

4、YGWGB pipe-line oil pump can be used in pumping oil products, such as the gas, coal oil, diesel fuel, etc. it is also could transfer the inflammable, explosive medium .work temperature is  $-20^{\circ}C \sim 120^{\circ}C$ ;

5、ISWD low rotate speed centrifugal pump is special for environment which is must low noise, the work temperature is lower than  $100^{\circ}C$ .

## 型号意义

## MEANING OF THE MODEL

ISG管道离心泵  
ISG pipe line centrifugal pump  
IRG热水管道泵  
IRG hot water pipeline pump  
GRG高温管泵  
GRG high-temperature pipeline pump  
IHG管道化工泵  
IHG pipeline-chemical pump  
YG管道离心油泵  
YG pipeline centrifugal oil pump  
ISW卧式离心泵  
ISW horizontal centrifugal pump  
IRW卧式热水泵  
IRW horizontal hot water pump  
IHG卧式化工泵  
IHG horizontal chemical pump  
ISWD卧式低转速离心泵  
ISWD horizontal low rotate centrifugal pump  
ISB便拆式管道离心泵  
ISB dismantlable pipeline centrifugal pump  
IRB便拆式热水管泵  
IRB dismantlable hot water pipeline pump  
IHG便拆式管道化工泵  
IHG dismantlable pipeline chemical pump  
YGB便拆式管道油泵  
YGB dismantlable pipeline oil pump

ISG B 80-160 (I) A

叶轮切割标记-----  
Times of the impeller cut L C: 第三次Third  
流量分类  
Capacity type  
叶轮名义直径  
Impeller diameter(mm)  
泵进、出口公称直径  
Inlet & Outlet diameter(mm)  
防爆电机(普通电机不标注;便拆式管道泵不标注电机信息)  
Explosion proof motor

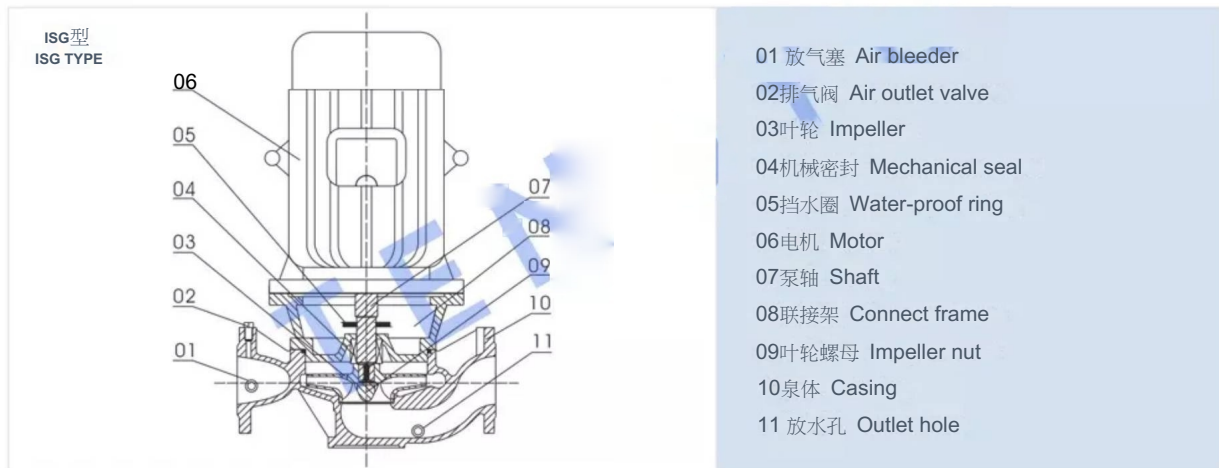
I-A 第一次First

B: 第二次Second

C: 第三次Third

## 结构特点

## STRUCTURE&CHARACTER

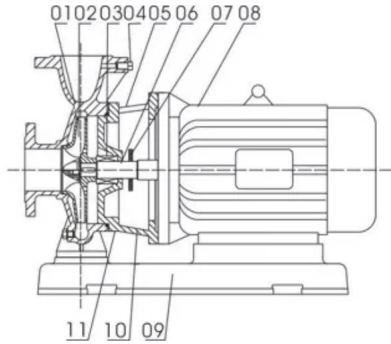


特点 CHARACTER:

- ★泵为立式结构，结构紧凑，占地面积小，建筑投入低；
- ★进出口口径相同，且位于同一中心线，安装方便；
- ★高效节能、性能可靠；
- ★密封可靠，轴封采用硬质合金及碳化钨等耐磨材质机械密封；
- ★可根据管路布置要求采用立式或横式安装。

1. The pump is vertical structure, compact structure, small floor area;
2. Caliber of the inlet is same as outlets', it is convenient to fix;
3. Low noise, high efficiency;
4. The material of the shaft seal is mechanical seal which is made by hard alloy or tungsten carbide;
5. Adept to the vertical or horizontal installation according to the distribution of pipes.

ISW型  
ISW TYPE



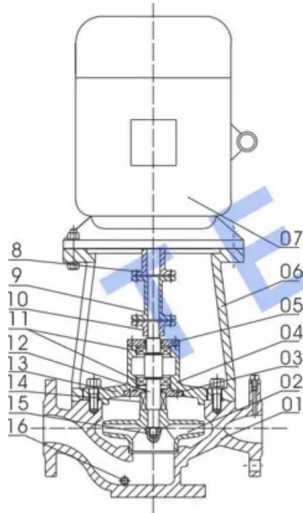
- 01 泵体 Casing
- 02 叶轮 Impeller
- 03 机械密封 Mechanical seal
- 04 排气阀 Air outlet valve
- 05 放气塞 Air-bleeder
- 06 泵轴 Shaft
- 07 挡水圈 Water-proof ring
- 08 电机 Motor
- 09 底座 Base plate
- 10 联接架 Connect frame
- 11 放水孔 Outlet hole

特点 CHARACTER:

- ★ 泵为卧式结构，电机和泵安装于同一底座，运行平稳，振动噪音低；
- ★ 结构简单合理，整机无故障工作长时间；
- ★ 泵为后开门式结构，无需拆动管路即可对泵进行维修；
- ★ 出口可向左、向上、向右三个方向，便于管路布置安装。

1. The pump is horizontal pump, motor and pump fix on one base, so the pump running quietly and smooth;
2. Reasonable and simple structure long running life;
3. The pump is back pullout structure, easy to repair;
4. You can fix pipe to left, up, right direction.

ISB型  
ISB TYPE



- 01 泵体 Casing
- 02 叶轮 Impeller
- 03 下轴承盖 Subjacent bearing cover
- 04 轴承座 Bearing block
- 05 上轴承盖 Upper bearing cover
- 06 联接架 Connect frame
- 07 电机 Motor
- 08 电机联轴器 Motor coupling
- 09 中间联轴器 Middle coupling
- 10 泵联轴器 Pump coupling
- 11 轴承 Bearing
- 12 泵轴 Shaft
- 13 泵盖 Pump cover
- 14 机械密封 Mechanical seal
- 15 叶轮螺母 Impeller nut
- 16 放水孔 Outlet hole

特点 CHARACTER:

- ★ 拥有普通管道泵的所有优点；
- ★ 采用独立轴承体、泵轴支撑，解决了原来立式泵靠电机轴支撑的不足之处；
- ★ 电机采用Y系列标准通用电机，解决原立式泵加长轴电机配套更换难的问题；
- ★ 独特的泵盖结构设计，便于拆卸。

1. Independent bearing and shaft support, it is better than support by the motor shaft;
2. The special design of pump cover, it is very convenient to take out the bearing block, pump cover, pump shaft, impeller;
3. Use the “Y” series general purpose motor;
4. The special design in pump cover, it is convenient to disassembly and assembly.



## Vertical Hot Water Booster Pump

ISG Series Pipeline Centrifugal Pump is a new type of pump with excellent hydraulic model and ingenious combination design on the basis of ordinary centrifugal pump. ISG is a vertical pipeline centrifugal pump. This series pump has the advantages of high efficiency, low noise, reliable performance.

### Product Description

Character:

1. Vertical installation, compact structure, small space occupying area.
2. Easy installation, the inlet and outlet diameter is the same and

on the same axis, which can be used as part of any pipeline.

3. Using the one of the world's most outstanding hydraulic model to reduce energy consumption.

4. The seal is reliable, and the shaft seal is mechanical seal made of hard alloy and tungsten carbide.

5. Vertical or horizontal installation can be adopted according to piping layout requirements.

Widely application:

Chemical Industry	Irrigation	Pharmaceutical Industry
Biological Industry	Municipal Water Supply	Nonferrous Metal
Food Industry	Automotive Industry	Municipal Water Supply



## GENERAL

ISGMSWMSB系列管道离心泵，是选用优秀水力模型，在普通离心泵的基础上进行巧妙组合设计而成的新型泵。ISG型为立式管道离心泵，ISW型为卧式离心泵，ISB型为便拆式管道离心泵。该系列泵具有高效节能、噪音低、性能可靠等优点。根据使用温度、介质等不同，派生出热水泵、高温泵、耐腐蚀性化工泵、油泵等。

ISGMSWMSB series pipeline centrifugal pumps are new type pump which they choose the outstanding hydraulic model, based on the common centrifugal pump to design. ISG is the vertical pipe centrifugal pump. ISW is the horizontal pipe centrifugal pump. ISB is the easy-disassembling pipe centrifugal pump. This series pumps are high-efficiency, energy-saving, low-noise, reliable-performance etc. there creating heat-exchanger pump, high-temperature pump, corrosion resistance chemical pump, oil pump etc according to the different of the temperature and the medium. They can meet their requirement on most occasions.

## APPLIED RANGE

1、ISGMSWMSB系列滴水管道泵，供输送清水及物理化学性质类似清水的液体之用。适用工业和城市给排水，高层建筑增压送水、园林喷灌、消防增压、远距离输水、暖通制冷循环、浴室冷热水循环增压及各种设备、锅炉的配套，使用温度 < 80°C；

2、IRG(GRG)\IRW\IRB系列热水泵广泛适用于能源、冶金、化工、纺织、造纸以及宾馆饭店等锅炉热水增压循环输送及城市采暖系统循环用泵，使用温度不高于 120°C (GRG 型使用温度不高于 240°C)；

3、IHG\IHW\IHB系列化工管道泵，供输送不含固体颗粒，具有腐蚀性，粘度类似于水的液体，适用于石油、化工、冶金、电力、造纸、食品制药和合成纤维等部门，使用温度为-2 (rc~12(TC)；

4、YGWGB系列管道油泵，供输送汽油、煤油，柴油等油类产品或易燃、易爆液体，被输送介质温度为-20C-120C；

5、ISWD型低转速离心泵适用于要求环境噪音很低的情况，使用温度不高于10CTC。



1、ISGMSWMSB series clarified water pump are pumping clear water or the physics and chemical feature is similar to water which temperature  $\leq 80.C$ , can be used in industry, municipal water supply, pressurize supply water in high-rise building., irrigation in parks, distance pump water, etc;

2、IRG(GRG)\IRW\IRB hot water pump widely used in energy, metallurgy, chemical industry, textile industry, paper manufacturing industry, boiler hot water pressurize in hotel or restaurant and municipal heating system, etc. the work temperature  $\leq 120^{\circ}C$  (GRG temperature  $\leq 240V$ );

3、IHGMHWMHB series chemical pump could transfer the corrosive liquid which viscosity similar with water, without particle, for example petroleum, metallurgy, electric power, paper manufacturing industry, food, pharmaceuticals industry, synthetic fibre etc., the work temperature is  $-20^{\circ}C \sim 120X?$ ;

4、YGWGB pipe-line oil pump can be used in pumping oil products, such as the gas, coal oil, diesel fuel, etc. it is also could transfer the inflammable, explosive medium .work temperature is  $-20^{\circ}C \sim 120^{\circ}C$ ;

5、ISWD low rotate speed centrifugal pump is special for environment which is must low noise, the work temperature is lower than  $100^{\circ}C$ .

## 型号意义

## MEANING OF THE MODEL

ISG管道离心泵  
ISG pipe line centrifugal pump  
IRG热水管道泵  
IRG hot water pipeline pump  
GRG高温管泵  
GRG high-temperature pipeline pump  
IHG管道化工泵  
IHG pipeline-chemical pump  
YG管道离心油泵  
YG pipeline centrifugal oil pump  
ISW卧式离心泵  
ISW horizontal centrifugal pump  
IRW卧式热水泵  
IRW horizontal hot water pump  
IHG卧式化工泵  
IHG horizontal chemical pump  
ISWD卧式低转速离心泵  
ISWD horizontal low rotate centrifugal pump  
ISB便拆式管道离心泵  
ISB dismantlable pipeline centrifugal pump  
IRB便拆式热水管泵  
IRB dismantlable hot water pipeline pump  
IHG便拆式管道化工泵  
IHG dismantlable pipeline chemical pump  
YGB便拆式管道油泵  
YGB dismantlable pipeline oil pump

ISG B 80-160 (I) A

叶轮切割标记-----  
Times of the impeller cut L C: 第三次Third  
流量分类  
Capacity type  
叶轮名义直径  
Impeller diameter(mm)  
泵进、出口公称直径  
Inlet & Outlet diameter(mm)  
防爆电机(普通电机不标注;便拆式管道泵不标注电机信息)  
Explosion proof motor

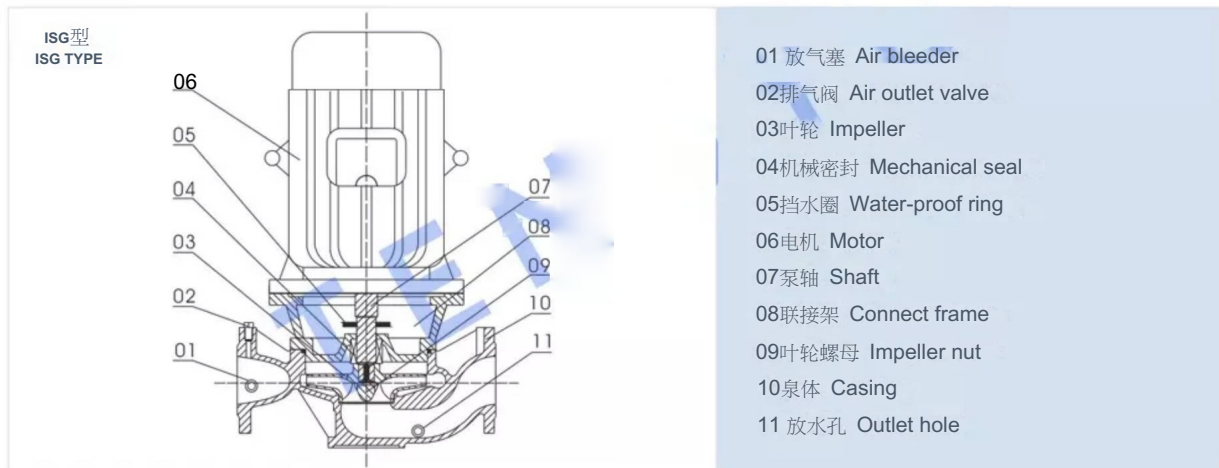
I-A 第一次First

B: 第二次Second

C: 第三次Third

## 结构特点

## STRUCTURE&CHARACTER

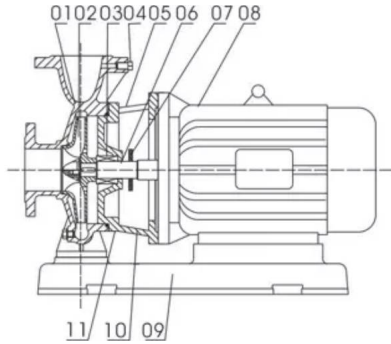


特点 CHARACTER:

- ★泵为立式结构，结构紧凑，占地面积小，建筑投入低；
- ★进出口口径相同，且位于同一中心线，安装方便；
- ★高效节能、性能可靠；
- ★密封可靠，轴封采用硬质合金及碳化钨等耐磨材质机械密封；
- ★可根据管路布置要求采用立式或横式安装。

1. The pump is vertical structure, compact structure, small floor area;
2. Caliber of the inlet is same as outlets', it is convenient to fix;
3. Low noise, high efficiency;
4. The material of the shaft seal is mechanical seal which is made by hard alloy or tungsten carbide;
5. Adept to the vertical or horizontal installation according to the distribution of pipes.

ISW型  
ISW TYPE



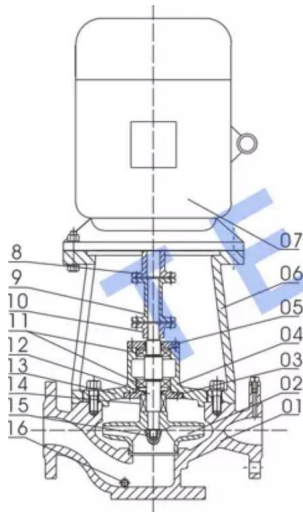
- 01 泵体 Casing
- 02 叶轮 Impeller
- 03 机械密封 Mechanical seal
- 04 排气阀 Air outlet valve
- 05 放气塞 Air-bleeder
- 06 泵轴 Shaft
- 07 挡水圈 Water-proof ring
- 08 电机 Motor
- 09 底座 Base plate
- 10 联接架 Connect frame
- 11 放水孔 Outlet hole

特点 CHARACTER:

- ★ 泵为卧式结构，电机和泵安装于同一底座，运行平稳，振动噪音低；
- ★ 结构简单合理，整机无故障工作长时间；
- ★ 泵为后开门式结构，无需拆动管路即可对泵进行维修；
- ★ 出口可向左、向上、向右三个方向，便于管路布置安装。

1. The pump is horizontal pump, motor and pump fix on one base, so the pump running quietly and smooth;
2. Reasonable and simple structure long running life;
3. The pump is back pullout structure, easy to repair;
4. You can fix pipe to left, up, right direction .

ISB型  
ISB TYPE



- 01 泵体 Casing
- 02 叶轮 Impeller
- 03 下轴承盖 Subjacent bearing cover
- 04 轴承座 Bearing block
- 05 上轴承盖 Upper bearing cover
- 06 联接架 Connect frame
- 07 电机 Motor
- 08 电机联轴器 Motor coupling
- 09 中间联轴器 Middle coupling
- 10 泵联轴器 Pump coupling
- 11 轴承 Bearing
- 12 泵轴 Shaft
- 13 泵盖 Pump cover
- 14 机械密封 Mechanical seal
- 15 叶轮螺母 Impeller nut
- 16 放水孔 Outlet hole

特点 CHARACTER:

- ★ 拥有普通管道泵的所有优点；
- ★ 采用独立轴承体、泵轴支撑，解决了原来立式泵靠电机轴承支撑的不足之处；
- ★ 电机采用Y系列标准通用电机，解决原立式泵加长轴电机配套更换难的问题；
- ★ 独特的泵盖结构设计，便于拆卸。

1. Independent bearing and shaft support, it is better than support by the motor shaft;
2. The special design of pump cover, it is very convenient to take out the bearing block, pump cover, pump shaft, impeller;
3. Use the “Y” series general purpose motor;
4. The special design in pump cover, it is convenience to disassembly and assembly.



## ISG/ISW/ISB Pipeline In-line Mechanical Seal Centrifugal Pumps

### Product Description:

Pipeline Centrifugal Pump is a new type of pump with excellent hydraulic model and ingenious combination design on the basis of ordinary centrifugal pump. ISB is a easy disassembling pipeline centrifugal pump. This series pump has the advantages of high efficiency, low noise, reliable performance.

### Product Description

#### **Character:**

1. Have all the advantages of ordinary pipeline pump.
2. Simple structure with long lifetime.
3. Using the one of the world's most outstanding hydraulic model

to reduce energy consumption.

4. Use independent bearing body and pump shaft support to solve the shortcomings of ordinary vertical pump support by motor bearing.

5. The motor adopts Y series standard general motors to solve the problem that the original vertical pump with extended shaft motor is difficult to replace.

6. Unique pump cover structure design, easy to disassemble and assemble.

**Typical Uses:**

This product is widely apply to:

Chemical Industry	Petroleum Industry	Pharmaceutical Industry
Biological Industry	Nuclear Power Plant	Nonferrous Metal
Food Industry	Automotive Industry	Municipal Water Supply

## GENERAL

ISGMSWMSB系列管道离心泵，是选用优秀水力模型，在普通离心泵的基础上进行巧妙组合设计而成的新型泵。ISG型为立式管道离心泵，ISW型为卧式离心泵，ISB型为便拆式管道离心泵。该系列泵具有高效节能、噪音低、性能可靠等优点。根据使用温度、介质等不同，派生出热水泵、高温泵、耐腐蚀性化工泵、油泵等。

ISGMSWMSB series pipeline centrifugal pumps are new type pump which they choose the outstanding hydraulic model, based on the common centrifugal pump to design. ISG is the vertical pipe centrifugal pump. ISW is the horizontal pipe centrifugal pump. ISB is the easy-disassembling pipe centrifugal pump. This series pumps are high-efficiency, energy-saving, low-noise, reliable-performance etc. there creating heat-exchanger pump, high-temperature pump, corrosion resistance chemical pump, oil pump etc according to the different of the temperature and the medium. They can meet their requirement on most occasions.

## APPLIED RANGE

1、ISGMSWMSB系列滴水管道泵，供输送清水及物理化学性质类似清水的液体之用。适用工业和城市给排水，高层建筑增压送水、园林喷灌、消防增压、远距离输水、暖通制冷循环、浴室冷热水循环增压及各种设备、锅炉的配套，使用温度 < 80°C；

2、IRG(GRG)\IRW\IRB系列热水泵广泛适用于能源、冶金、化工、纺织、造纸以及宾馆饭店等锅炉热水增压循环输送及城市采暖系统循环用泵，使用温度不高于 120°C (GRG型使用温度不高于 240°C)；

3、IHG\IHW\IHB系列化工管道泵，供输送不含固体颗粒，具有腐蚀性，粘度类似于水的液体，适用于石油、化工、冶金、电力、造纸、食品制药和合成纤维等部门，使用温度为-2 (rc~12(TC)；

4、YGWGB系列管道油泵，供输送汽油、煤油，柴油等油类产品或易燃、易爆液体，被输送介质温度为-20C-120C；

5、ISWD型低转速离心泵适用于要求环境噪音很低的情况，使用温度不高于10CTC。



1、ISGMSWMSB series clarified water pump are pumping clear water or the physics and chemical feature is similar to water which temperature  $\leq 80.C$ , can be used in industry, municipal water supply, pressurize supply water in high-rise building., irrigation in parks, distance pump water, etc;

2、IRG(GRG)\IRW\IRB hot water pump widely used in energy, metallurgy, chemical industry, textile industry, paper manufacturing industry, boiler hot water pressurize in hotel or restaurant and municipal heating system, etc. the work temperature  $\leq 120^{\circ}C$  (GRG temperature  $\leq 240V$ );

3、IHGMHWMHB series chemical pump could transfer the corrosive liquid which viscosity similar with water, without particle, for example petroleum, metallurgy, electric power, paper manufacturing industry, food, pharmaceuticals industry, synthetic fibre etc., the work temperature is  $-20^{\circ}C \sim 120X?$ ;

4、YGWGB pipe-line oil pump can be used in pumping oil products, such as the gas, coal oil, diesel fuel, etc. it is also could transfer the inflammable, explosive medium .work temperature is  $-20^{\circ}C \sim 120^{\circ}C$ ;

5、ISWD low rotate speed centrifugal pump is special for environment which is must low noise, the work temperature is lower than  $100^{\circ}C$ .



## 型号意义

## MEANING OF THE MODEL

ISG管道离心泵  
ISG pipe line centrifugal pump  
IRG热水管道泵  
IRG hot water pipeline pump  
GRG高温管泵  
GRG high-temperature pipeline pump  
IHG管道化工泵  
IHG pipeline-chemical pump  
YG管道离心油泵  
YG pipeline centrifugal oil pump  
ISW卧式离心泵  
ISW horizontal centrifugal pump  
IRW卧式热水泵  
IRW horizontal hot water pump  
IHG卧式化工泵  
IHG horizontal chemical pump  
ISWD卧式低转速离心泵  
ISWD horizontal low rotate centrifugal pump  
ISB便拆式管道离心泵  
ISB dismantlable pipeline centrifugal pump  
IRB便拆式热水管泵  
IRB dismantlable hot water pipeline pump  
IHG便拆式管道化工泵  
IHG dismantlable pipeline chemical pump  
YGB便拆式管道油泵  
YGB dismantlable pipeline oil pump

ISG B 80-160 (I) A

叶轮切割标记-----  
Times of the impeller cut L C: 第三次Third  
流量分类  
Capacity type  
叶轮名义直径  
Impeller diameter(mm)  
泵进、出口公称直径  
Inlet & Outlet diameter(mm)  
防爆电机(普通电机不标注;便拆式管道泵不标注电机信息)  
Explosion proof motor

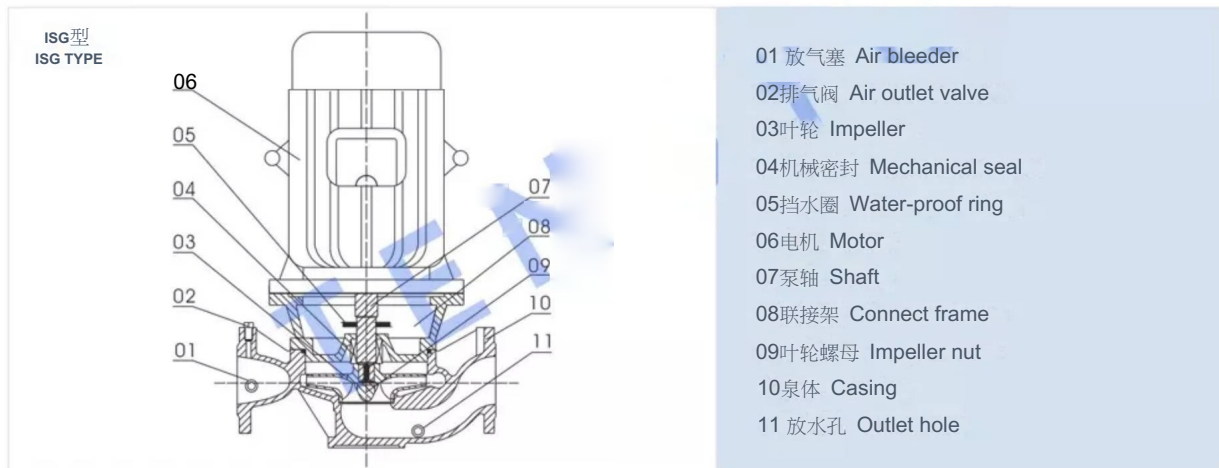
I-A 第一次First

B: 第二次Second

C: 第三次Third

## 结构特点

## STRUCTURE&CHARACTER

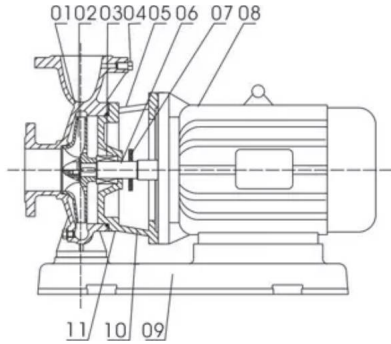


特点 CHARACTER:

- ★泵为立式结构，结构紧凑，占地面积小，建筑投入低；
- ★进出口口径相同，且位于同一中心线，安装方便；
- ★高效节能、性能可靠；
- ★密封可靠，轴封采用硬质合金及碳化钨等耐磨材质机械密封；
- ★可根据管路布置要求采用立式或横式安装。

1. The pump is vertical structure, compact structure, small floor area;
2. Caliber of the inlet is same as outlets', it is convenient to fix;
3. Low noise, high efficiency;
4. The material of the shaft seal is mechanical seal which is made by hard alloy or tungsten carbide;
5. Adept to the vertical or horizontal installation according to the distribution of pipes.

ISW型  
ISW TYPE



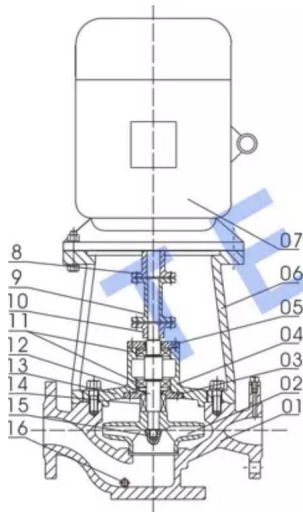
- 01 泵体 Casing
- 02 叶轮 Impeller
- 03 机械密封 Mechanical seal
- 04 排气阀 Air outlet valve
- 05 放气塞 Air-bleeder
- 06 泵轴 Shaft
- 07 挡水圈 Water-proof ring
- 08 电机 Motor
- 09 底座 Base plate
- 10 联接架 Connect frame
- 11 放水孔 Outlet hole

特点 CHARACTER:

- ★ 泵为卧式结构，电机和泵安装于同一底座，运行平稳，振动噪音低；
- ★ 结构简单合理，整机无故障工作长时间；
- ★ 泵为后开门式结构，无需拆动管路即可对泵进行维修；
- ★ 出口可向左、向上、向右三个方向，便于管路布置安装。

1. The pump is horizontal pump, motor and pump fix on one base, so the pump running quietly and smooth;
2. Reasonable and simple structure Long running life;
3. The pump is back pullout structure, easy to repair;
4. You can fix pipe to left, up, right direction .

ISB型  
ISB TYPE



- 01 泵体 Casing
- 02 叶轮 Impeller
- 03 下轴承盖 Subjacent bearing cover
- 04 轴承座 Bearing block
- 05 上轴承盖 Upper bearing cover
- 06 联接架 Connect frame
- 07 电机 Motor
- 08 电机联轴器 Motor coupling
- 09 中间联轴器 Middle coupling
- 10 泵联轴器 Pump coupling
- 11 轴承 Bearing
- 12 泵轴 Shaft
- 13 泵盖 Pump cover
- 14 机械密封 Mechanical seal
- 15 叶轮螺母 Impeller nut
- 16 放水孔 Outlet hole

特★ CHARACTER:

- ★ 拥有普通管道泵的所有优点；
- ★ 采用独立轴承体、泵轴支撑，解决了原来立式泵靠电机轴承支撑的不足之处；
- ★ 电机采用Y系列标准通用电机，解决原立式泵加长轴电机配套更换难的问题；
- ★ 独特的泵盖结构设计，便于拆卸。

1. Independent bearing and shaft support, it is better than support by the motor shaft;
2. The special design of pump cover, it is very convenient to take out the bearing block, pump cover, pump shaft, impeller;
3. Use the “Y” serious general purpose motor;
4. The special design in pump cover, it is convenience to disassembly and assembly.



口径: DN15 ~ DN500mm

流量: 1.1 ~ 1500m<sup>3</sup>/h

扬程: 7 ~ 153.6m

转速: 2900r/min; 1450r/min; 960r/min

粘度:  $\leq 100\text{mm}^2/\text{s}$

压力:  $\leq 1.6\text{Mpa}$

电机功率: 0.18 ~ 160kW

Caliber: DN15 ~ DN500mm

Capacity: 1.1 ~ 1500m<sup>3</sup>/h

Head: 7 ~ 153.6m

Rotate speed: 2900r/min; 1450r/min; 960r/min

Viscosity:  $\leq 100\text{mm}^2/\text{s}$

Pressure:  $\leq 1.6\text{Mpa}$

Motor power: 0.18 ~ 160kW

**По вопросам продаж и поддержки обращайтесь:**

Алматы (7273)495-231	Казань (843)206-01-48	Новокузнецк (3843)20-46-81	Смоленск (4812)29-41-54
Архангельск (8182)63-90-72	Калининград (4012)72-03-81	Новосибирск (383)227-86-73	Сочи (862)225-72-31
Астрахань (8512)99-46-04	Калуга (4842)92-23-67	Омск (3812)21-46-40	Ставрополь (8652)20-65-13
Барнаул (3852)73-04-60	Кемерово (3842)65-04-62	Орел (4862)44-53-42	Сургут (3462)77-98-35
Белгород (4722)40-23-64	Киров (8332)68-02-04	Оренбург (3532)37-68-04	Тверь (4822)63-31-35
Брянск (4832)59-03-52	Краснодар (861)203-40-90	Пенза (8412)22-31-16	Томск (3822)98-41-53
Владивосток (423)249-28-31	Красноярск (391)204-63-61	Пермь (342)205-81-47	Тула (4872)74-02-29
Волгоград (844)278-03-48	Курск (4712)77-13-04	Ростов-на-Дону (863)308-18-15	Тюмень (3452)66-21-18
Вологда (8172)26-41-59	Липецк (4742)52-20-81	Рязань (4912)46-61-64	Ульяновск (8422)24-23-59
Воронеж (473)204-51-73	Магнитогорск (3519)55-03-13	Самара (846)206-03-16	Уфа (347)229-48-12
Екатеринбург (343)384-55-89	Москва (495)268-04-70	Санкт-Петербург (812)309-46-40	Хабаровск (4212)92-98-04
Иваново (4932)77-34-06	Мурманск (8152)59-64-93	Саратов (845)249-38-78	Челябинск (351)202-03-61
Ижевск (3412)26-03-58	Набережные Челны (8552)20-53-41	Севастополь (8692)22-31-93	Череповец (8202)49-02-64
Иркутск (395)279-98-46	Нижний Новгород (831)429-08-12	Симферополь (3652)67-13-56	Ярославль (4852)69-52-93
Россия (495)268-04-70	Киргизия (996)312-96-26-47	Казахстан (7172)727-132	