

КСВ/2СУ

Технические характеристики

По вопросам продаж и поддержки обращайтесь:

| | | | |
|-----------------------------|---------------------------------|--------------------------------|---------------------------|
| Алматы (7273)495-231 | Казань (843)206-01-48 | Новокузнецк (3843)20-46-81 | Смоленск (4812)29-41-54 |
| Архангельск (8182)63-90-72 | Калининград (4012)72-03-81 | Новосибирск (383)227-86-73 | Сочи (862)225-72-31 |
| Астрахань (8512)99-46-04 | Калуга (4842)92-23-67 | Омск (3812)21-46-40 | Ставрополь (8652)20-65-13 |
| Барнаул (3852)73-04-60 | Кемерово (3842)65-04-62 | Орел (4862)44-53-42 | Сургут (3462)77-98-35 |
| Белгород (4722)40-23-64 | Киров (8332)68-02-04 | Оренбург (3532)37-68-04 | Тверь (4822)63-31-35 |
| Брянск (4832)59-03-52 | Краснодар (861)203-40-90 | Пенза (8412)22-31-16 | Томск (3822)98-41-53 |
| Владивосток (423)249-28-31 | Красноярск (391)204-63-61 | Пермь (342)205-81-47 | Тула (4872)74-02-29 |
| Волгоград (844)278-03-48 | Курск (4712)77-13-04 | Ростов-на-Дону (863)308-18-15 | Тюмень (3452)66-21-18 |
| Вологда (8172)26-41-59 | Липецк (4742)52-20-81 | Рязань (4912)46-61-64 | Ульяновск (8422)24-23-59 |
| Воронеж (473)204-51-73 | Магнитогорск (3519)55-03-13 | Самара (846)206-03-16 | Уфа (347)229-48-12 |
| Екатеринбург (343)384-55-89 | Москва (495)268-04-70 | Санкт-Петербург (812)309-46-40 | Хабаровск (4212)92-98-04 |
| Иваново (4932)77-34-06 | Мурманск (8152)59-64-93 | Саратов (845)249-38-78 | Челябинск (351)202-03-61 |
| Ижевск (3412)26-03-58 | Набережные Челны (8552)20-53-41 | Севастополь (8692)22-31-93 | Череповец (8202)49-02-64 |
| Иркутск (395)279-98-46 | Нижний Новгород (831)429-08-12 | Симферополь (3652)67-13-56 | Ярославль (4852)69-52-93 |
| Россия (495)268-04-70 | Киргизия (996)312-96-26-47 | Казахстан (7172)727-132 | |



Gear Pump High Viscosity External Gear Pump

KCB/2CY Electric Oil Transfer Gear Pump is designed for pumping light fuel oils such as diesel, kerosene, and biodiesel. It is also possible to pump vegetable oil, motor oil, and even glycerol. It is a helical gear pump, and built-in by-pass valve. For pumping clean viscous liquids, not containing abrasive or solid particles

Product Description

They can run dry for only intermediate amounts of time, allowing for the use of a suction hose for collecting fluids from a tank. They should not be run dry for an extended period of time as oil is required to lubricate the pump head.

Generally used in:

Petrochemicals: Pure or filled bitumen, pitch, diesel oil, crude oil, lube oil etc.

Chemicals: Sodium silicate, acids, plastics, mixed chemicals, isocyanates etc.

Paint and ink.

Resins and adhesives.

Pulp and paper: acid, soap, lye, black liquor, kaolin, lime, latex, sludge etc.

Food: Chocolate, cacao butter, fillers, sugar, vegetable fats and oils, molasses, animal food etc.

PERFORMANCE PARAMETER

KCB12CY型 KCB12CY TYPE

| 型号 Model | 流量Capacity | | 出口压力 Outlet pressure (Mpa) | 进口真空度 Inlet degree of vacuum (Mpa) | 进出口径 Inlet & outlet caliber | 电机功率 Motor Power (kW) |
|------------------------|---------------------|------|-------------------------------------|---|-----------------------------------|-----------------------------|
| | (m ³ /h) | (US) | | | | |
| 2CY1.1/14.5 KCB18.3 | 1.1 | 18.3 | 1.45 | 0.05 | G ₃ " | 1.5kW-4 |
| 2CY2/14.5 KCB33.3 | 2 | 33.3 | 1.45 | 0.05 | G ₄ " | 2.2kW-4 |
| 2CY3.3/3.3 KCB55 | 3.3 | 55 | 0.33 | 0.05 | G1" | 1.5kW-4 |
| 2CY5/3.3 KCB83.3 | 5 | 83.3 | 0.33 | 0.05 | G1 1/2" | 2.2kW-4 |
| 2CY8/3.3 KCB133 | 8 | 133 | 0.33 | 0.05 | G2" | 3kW-6 |
| 2CY8/6 | 8 | 133 | 0.6 | 0.05 | G2" | 4kW-6 |
| 2CY8/10 | 8 | 133 | 1.0 | 0.05 | G2" | 5.5kW-6 |
| 2CY12/1.3 | 12 | 200 | 0.13 | 0.05 | G2" | 4kW-4 |
| 2CY 12/3.3 KCB200 | 12 | 200 | 0.33 | 0.05 | | 5.5kW-4 |
| 2CY12/6 | 12 | 200 | 0.6 | 0.05 | G2" | 5.5kW-4 |
| 2CY12/10 | 12 | 200 | 1.0 | 0.05 | G2 ^H | 7.5kW-4 |
| 2CY 18/3.6 KCB300 | 18 | 300 | 0.36 | 0.05 | 70mm | 5.5kW-6 |
| 2CY18/6 | 18 | 300 | 0.6 | 0.05 | 70mm | 7.5kW-6 |
| 2CY29/3.6 KCB483 | 29 | 483 | 0.36 | 0.05 | 70mm | 7.5kW-4 |
| 2CY29/6 | 29 | 483 | 0.6 | 0.05 | 70mm | 11kW-4 |
| 2CY38/2.8 KCB633 | 38 | 633 | 0.28 | 0.05 | 100mm | 11kW-6 |
| 2CY38/6 | 38 | 633 | 0.6 | 0.05 | 100mm | 22kW-6 |
| 2CY60/3 KCB960 | 60 | 960 | 0.3 | 0.05 | 100mm | 22kW-4 |
| 2CY100/3 | 100 | 1667 | 0.3 | 0.05 | 150mm | 30kW-8 |
| 2CY100/6 | 100 | 1667 | 0.6 | 0.05 | 150mm | 55kW-8 |
| 2CY120/3 | 120 | 2000 | 0.3 | 0.05 | 150mm | 30kW-8 |
| 2CY120/6 | 120 | 2000 | 0.6 | 0.05 | 150mm | 55kW-8 |
| 2CY150/3 | 150 | 2500 | 0.3 | 0.05 | 150mm | 37kW-8 |
| 2CY150/6 | 150 | 2500 | 0.6 | 0.05 | 150mm | 75kW-8 |

2CY型 2CY TYPE

| 型号 Model | 流量Capacity | | 出口压力 Outlet pressure (Mpa) | 进口真空度 Inlet degree of vacuum (Mpa) | 进出口径 Inlet & outlet caliber | 电机功率 Motor Power (kW) |
|-------------|------------|------|-------------------------------------|---|-----------------------------------|-----------------------------|
| | (rrf/h) | (US) | | | | |
| 2CY1.08/10 | 1.08 | 18 | 1.0 | 0.05 | GW | 0.75kW-4 |
| 2CY1.08/25 | 1.08 | 18 | 2.5 | 0.05 | G和 | 1,5kW-4 |
| 2CY2.1/10 | 2.1 | 35 | 1.0 | 0.05 | G1" | 1.5kW-4 |
| 2CY2.1/25 | 2.1 | 35 | 2.5 | 0.05 | G1" | 3kW-4 |
| 2CY3/10 | 3.0 | 50 | 1.0 | 0.05 | G1" | 2.2kW-4 |
| 2CY3/25 | 3.0 | 50 | 2.5 | 0.05 | G1» | 4kW-4 |
| 2CY4.2/10 | 4.2 | 70 | 1.0 | 0.05 | G11/4" | 3kW-4 |
| 2CY4.2/25 | 4.2 | 70 | 2.5 | 0.05 | G11/4" | 5.5kW-4 |
| 2CY7.5/10 | 7.5 | 125 | 1.0 | 0.05 | G11/2" | 4kW-4 |
| 2CY7.5/25 | 7.5 | 125 | 2.5 | 0.05 | G11/2" | 7.5kW-4 |
| 2CY12/6 | 12 | 200 | 0.6 | 0.05 | G2" | 5.5kW-4 |
| 2CY12/10 | 12 | 200 | 1.0 | 0.05 | G2 ^M | 7.5kW-4 |
| 2CY18/3.6 | 18 | 300 | 0.36 | 0.05 | 75mm | 5.5kW-6 |
| 2CY29/3.6 | 29 | 483 | 0.36 | 0.05 | 75mm | 7.5kW-4 |



External or Internal High Viscosity Gear Pumps

This pump is suitable to carry various oils such as the thick oil, diesel fuel and lubricator, animal and vegetable oil. Take care that the media temperature should not surpass 70°C . The KCB pump has safety valve itself when the pump works under high pressure. There are cast iron, and stainless steel materials. Shaft seal has three types of option: mechanical seal; stuffing seal; skeleton oil seal.

Product Description

Tengyu gear pump uses the actions of rotating cogs or gears to transfer fluids. The rotating element develops a liquid seal with the pump casing and creates suction at the pump inlet. Fluid, drawn into the pump, is enclosed within the cavities of its rotating

gears and transferred to the discharge. There are two basic designs of gear pump: internal gear pump and external gear pump.

GENERAL

KCB\2CY型齿轮式输油泵适用于输送粘度在300 cst以下的各种油类，如原油、柴油、润滑油、动植物油等。配用铜齿轮可输送低闪点液体，如汽油、苯等。介质温度不超过70°C,耐高温油泵的使用温度不超过300°C。KCB型泵本身带有安全阀，超载时起安全保护作用。2CY泵分为铸铁型和不锈钢型。轴封有骨架油封、机械密封、填料密封三种型式，订货注明。

This pump is suitable to carry various oils, such as the thick oil, diesel fuel and lubricator, animal and vegetable oil etc. also it's available to transport the fluidities with low flashing point by equipped with copper gear, such as gasoline and benzene, etc. Take care that the media temperature should not surpass 70°C and the available temperature of oil pump against high temperature should not more than 300°C. The KCB pump has safety valve itself when the pump works under the high pressure. There are cast iron and stainless steel material for 2CY pump. Shaft seal has skeleton oil seal. Mechanical seal and stuffing seal. Please it should be indicated when placing order.



CHARACTER

- ★结构紧凑，使用和保养方便；
- ★具有良好的自吸性，故每次开泵前无须灌入液体；
- ★本泵的润滑是靠输送的液体而自动达到的，故日常工作时无须另加润滑油；
- ★利用弹性联轴器传递动力可以补偿因安装时所引起的微小偏差，在泵工作中受到不可避免的液压冲击时，能起到良好的缓冲作用；
- ★适用于输送各种润滑性的液体；
- ★不适用于输送腐蚀性的、含硬质颗粒的液体以及高度挥发性、低闪点液体。

1. The structure is compact. And it's convenience for activity;
2. It has the better performance of self-priming, so it's no need to put into the water before the pump working;
3. The pump's lubricating depends on the transporting liquid, so it's no need add the lubricant;
4. Using flexible coupling, delivering the power, can cover the deviation which because of the installation. when the pump are inevitable shocked in the working, they can operate the cushioning;
5. It's applicable for transporting all the lubricating liquid;
6. It's no applicable for transporting the corrosive, hard-particle liquid, and high-volatile, and low-flash liquid.

APPLIED RANGE

2CY可作为油料输送过程中的增压泵，也可作为输送过程中的燃料泵。

KCB型的泵常用于输送不含颗粒的润滑液体，温度低于120°C,或在石化工业中精度在5-1500cst之间。

2CY can give performance as transfer pump of booster pump in oil delivery system. It can be applied as a fuel pump for delivery system, pressure rization and injection in fuel supply system and in all industry fields as lubricating pump.

KCB Magnetic-driving Gear Pumps often transport the lubricative fluid which don't contain particles and fibre, the temperature of which is lower than 120°C and the precision of which is 5-1500 cst during technics flow in petrification industry.

型号意义

MEANING OF THE MODEL

例：KCB 18.3

EX:

流量

Capacity(m³/h)

齿轮输油泵型号

Gear oil model

2CY 1.1/14.5

压力 X0.1Mpa

Pressure(Mpa)

流量

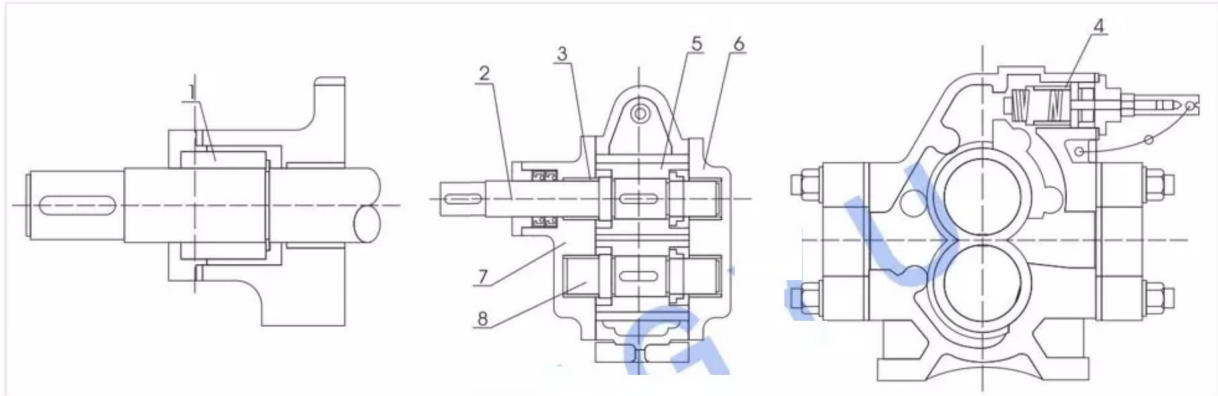
Capacity(m³/h)

齿轮输油泵型号

Gear oil model

结构示意图

SKETCH MAP OF STRUCTURE



使用参数

OPERATION PARAMETER

口径: G₁" ~ G₂"

DN70 ~ DN150mm

流量: 1.1 ~ 150m³/h

压力: ≥2.5Mpa

转速: 1450r/min; 960r/min; 720r/min

工作温度: <70K30(TC(离温))

粘度: ^300mm²/s

压力等级: 2.5Mpa

自吸高度: <5m

电机功率: 0.75 ~ 75kW

Caliber: G_{3A}" ~ G₂"

DN70 ~ DN150mm

Capacity: 1.1 ~ 150m³/h

Pressure : ^2.5Mpa

Rotate speed: 1450r/min; 960r/min; 720r/min

Work temperature: 名70.C; 名300.C(High temperature)

Viscosity : ^300mm²/s

Pressure grade: 2.5Mpa

Self-suction height: ≥5m

Motor power: 0.75 ~ 75kW

PERFORMANCE PARAMETER

KCB\2CY型 KCB\2CY TYPE

| 型号 Model | 流量Capacity | | 出口压力 Outlet pressure (Mpa) | 进口真空度 Inlet degree of vacuum (Mpa) | 进出口径 Inlet & outlet caliber | 电机功率 Motor Power (kW) |
|------------------------|------------|-------|-------------------------------------|---|-----------------------------------|-----------------------------|
| | (rrf/h) | (L/S) | | | | |
| 2CY1.1/14.5 KCB18.3 | 1.1 | 18.3 | 1.45 | 0.05 | GW | 1.5kW-4 |
| 2CY2/14.5 KCB33.3 | 2 | 33.3 | 1.45 | 0.05 | GW | 2.2kW-4 |
| 2CY3.3/3.3 KCB55 | 3.3 | 55 | 0.33 | 0.05 | G1" | 1.5kW-4 |
| 2CY5/3.3 KCB83.3 | 5 | 83.3 | 0.33 | 0.05 | G1 1/2" | 2.2kW-4 |
| 2CY8/3.3 KCB133 | 8 | 133 | 0.33 | 0.05 | G2" | 3kW-6 |
| 2CY8/6 | 8 | 133 | 0.6 | 0.05 | G2" | 4kW-6 |
| 2CY8/10 | 8 | 133 | 1.0 | 0.05 | G2" | 5.5kW-6 |
| 2CY12/1.3 | 12 | 200 | 0.13 | 0.05 | G2" | 4kW-4 |
| 2CY 12/3.3 KCB200 | 12 | 200 | 0.33 | 0.05 | | 5.5kW-4 |
| 2CY12/6 | 12 | 200 | 0.6 | 0.05 | G2" | 5.5kW-4 |
| 2CY12/10 | 12 | 200 | w | 0.05 | G2 ^H | 7.5kW-4 |
| 2CY 18/3.6 KCB300 | 18 | | 0.36 | 0.05 | 70mm | 5.5kW-6 |
| 2CY18/6 | 18 | 300 | 0.6 | 0.05 | 70mm | 7.5kW-6 |
| 2CY29/3.6 KCB483 | 29 | 483 | 0.36 | 0.05 | 70mm | 7.5kW-4 |
| 2CY29/6 | 29 | 483 | 0.6 | 0.05 | 70mm | 11kW-4 |
| 2CY38/2.8 KCB633 | 38 | 633 | 0.28 | 0.05 | 100mm | 11kW-6 |
| 2CY38/6 | 38 | 633 | 0.6 | 0.05 | 100mm | 22kW-6 |
| 2CY60/3 KCB960 | 60 | 960 | 0.3 | 0.05 | 100mm | 22kW-4 |
| 2CY100/3 | 100 | 1667 | 0.3 | 0.05 | 150mm | 30kW-8 |
| 2CY100/6 | 100 | 1667 | 0.6 | 0.05 | 150mm | 55kW-8 |
| 2CY120/3 | 120 | 2000 | 0.3 | 0.05 | 150mm | 30kW-8 |
| 2CY120/6 | 120 | 2000 | 0.6 | 0.05 | 150mm | 55kW-8 |
| 2CY150/3 | 150 | 2500 | 0.3 | 0.05 | 150mm | 37kW-8 |
| 2CY150/6 | 150 | 2500 | 0.6 | 0.05 | 150mm | 75kW-8 |

MEANING OF THE MODEL

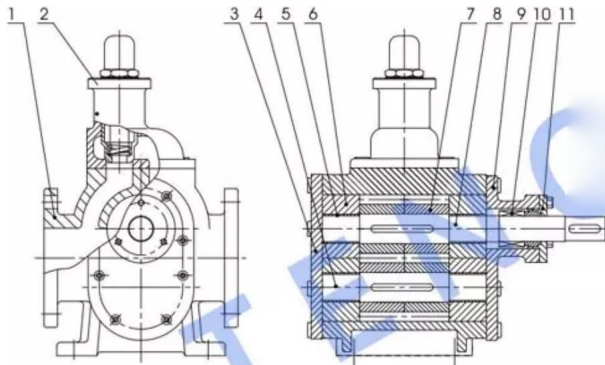
例: YCP 1.6 - 0.6 b
EX:

保温型(带保温夹套)
Thermal retardation type(Insulation jacket)
压力
Pressure(Mpa)
流量
Capacity(m³/h)
圆弧齿轮泵型号
Arc gear pump



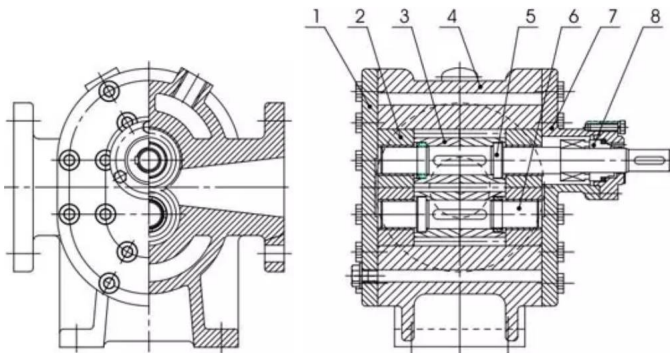
SKETCH MAP OF STRUCTURE

YCP型
YCP TYPE



- 01 泵体 Casing
- 02安全阀 Emergency valve
- 03后盖 Back cover
- 04从动轴 Passive shaft
- 05滑动轴承 Slide bearing
- 06轴承套 Bearing sleeve
- 07齿轮 Gear
- 08主动轴 Capstan Shaft
- 09前盖 Front cover
- 10机械密封 Mechanical seal
- 11 端盖 End cover

YCP-b型
YCP-b TYPE



- 01 后盖 Back cover
- 02轴承盖 Bearing cover
- 03齿轮 Gear
- 04泵体 Casing
- 05主动轴 Capstan Shaft
- 06从动轴 Passive shaft
- 07前盖 Front cover
- 08机械密封 Mechanical seal

По вопросам продаж и поддержки обращайтесь:

| | | | |
|-----------------------------|---------------------------------|--------------------------------|---------------------------|
| Алматы (7273)495-231 | Казань (843)206-01-48 | Новокузнецк (3843)20-46-81 | Смоленск (4812)29-41-54 |
| Архангельск (8182)63-90-72 | Калининград (4012)72-03-81 | Новосибирск (383)227-86-73 | Сочи (862)225-72-31 |
| Астрахань (8512)99-46-04 | Калуга (4842)92-23-67 | Омск (3812)21-46-40 | Ставрополь (8652)20-65-13 |
| Барнаул (3852)73-04-60 | Кемерово (3842)65-04-62 | Орел (4862)44-53-42 | Сургут (3462)77-98-35 |
| Белгород (4722)40-23-64 | Киров (8332)68-02-04 | Оренбург (3532)37-68-04 | Тверь (4822)63-31-35 |
| Брянск (4832)59-03-52 | Краснодар (861)203-40-90 | Пенза (8412)22-31-16 | Томск (3822)98-41-53 |
| Владивосток (423)249-28-31 | Красноярск (391)204-63-61 | Пермь (342)205-81-47 | Тула (4872)74-02-29 |
| Волгоград (844)278-03-48 | Курск (4712)77-13-04 | Ростов-на-Дону (863)308-18-15 | Тюмень (3452)66-21-18 |
| Вологда (8172)26-41-59 | Липецк (4742)52-20-81 | Рязань (4912)46-61-64 | Ульяновск (8422)24-23-59 |
| Воронеж (473)204-51-73 | Магнитогорск (3519)55-03-13 | Самара (846)206-03-16 | Уфа (347)229-48-12 |
| Екатеринбург (343)384-55-89 | Москва (495)268-04-70 | Санкт-Петербург (812)309-46-40 | Хабаровск (4212)92-98-04 |
| Иваново (4932)77-34-06 | Мурманск (8152)59-64-93 | Саратов (845)249-38-78 | Челябинск (351)202-03-61 |
| Ижевск (3412)26-03-58 | Набережные Челны (8552)20-53-41 | Севастополь (8692)22-31-93 | Череповец (8202)49-02-64 |
| Иркутск (395)279-98-46 | Нижний Новгород (831)429-08-12 | Симферополь (3652)67-13-56 | Ярославль (4852)69-52-93 |
| Россия (495)268-04-70 | Киргизия (996)312-96-26-47 | Казахстан (7172)727-132 | |