

CQ-Z

Технические характеристики

По вопросам продаж и поддержки обращайтесь:

Алматы (7273)495-231	Казань (843)206-01-48	Новокузнецк (3843)20-46-81	Смоленск (4812)29-41-54
Архангельск (8182)63-90-72	Калининград (4012)72-03-81	Новосибирск (383)227-86-73	Сочи (862)225-72-31
Астрахань (8512)99-46-04	Калуга (4842)92-23-67	Омск (3812)21-46-40	Ставрополь (8652)20-65-13
Барнаул (3852)73-04-60	Кемерово (3842)65-04-62	Орел (4862)44-53-42	Сургут (3462)77-98-35
Белгород (4722)40-23-64	Киров (8332)68-02-04	Оренбург (3532)37-68-04	Тверь (4822)63-31-35
Брянск (4832)59-03-52	Краснодар (861)203-40-90	Пенза (8412)22-31-16	Томск (3822)98-41-53
Владивосток (423)249-28-31	Красноярск (391)204-63-61	Пермь (342)205-81-47	Тула (4872)74-02-29
Волгоград (844)278-03-48	Курск (4712)77-13-04	Ростов-на-Дону (863)308-18-15	Тюмень (3452)66-21-18
Вологда (8172)26-41-59	Липецк (4742)52-20-81	Рязань (4912)46-61-64	Ульяновск (8422)24-23-59
Воронеж (473)204-51-73	Магнитогорск (3519)55-03-13	Самара (846)206-03-16	Уфа (347)229-48-12
Екатеринбург (343)384-55-89	Москва (495)268-04-70	Санкт-Петербург (812)309-46-40	Хабаровск (4212)92-98-04
Иваново (4932)77-34-06	Мурманск (8152)59-64-93	Саратов (845)249-38-78	Челябинск (351)202-03-61
Ижевск (3412)26-03-58	Набережные Челны (8552)20-53-41	Севастополь (8692)22-31-93	Череповец (8202)49-02-64
Иркутск (395)279-98-46	Нижний Новгород (831)429-08-12	Симферополь (3652)67-13-56	Ярославль (4852)69-52-93
Россия (495)268-04-70	Киргизия (996)312-96-26-47	Казахстан (7172)727-132	



SS304 Casing with Suction Tank Integrated Self-Priming Magnetic Pump

CQ-Z magnetic self priming pump is a seal-less centrifugal pump, that belongs to the new generation self priming pump. CQ-Z magnetic self priming pump is the best substitute for the ordinary self priming pump. CQ-Z is perfect for the pump that needs to move frequently or the pump sits higher than the liquid level. Thus, it is one of the most popular product in Tengyu. CQ-Z pump is very cost effective, easy to use and maintain. It has relatively simple structure, so it is very easy to repair or change wearing parts.

Product Description

Character:

1. Simple operation, no need to inject liquid before starting.
2. Special inlet that has stainless steel non-return valve to ensure that the medium does not backflow.
3. High efficiency, and no need to install bottom valve.
4. Using the simple external mixing self priming structure, that has strong self priming ability.

Typical Uses:

The wearing part of CQZ series pump is stainless steel, the pump can be used to transfer not only water, but also corrosive medium, expensive liquid or the other physical and chemical medium. The medium temperature should be less or equal to 120°C. This product is widely apply to:



Self priming Magnetic Drive Pump Magdrive Pump

CQ-Z magnetic self priming pump is a seal-less centrifugal pump, that belongs to the new generation self priming pump. CQ-Z magnetic self priming pump is the best substitute for the ordinary self priming pump. CQ-Z is perfect for the pump that needs to move frequently or the pump sits higher than the liquid level. Thus, it is one of the most popular product in Tengyu. CQ-Z pump is very cost effective, easy to use and maintain. It has relatively simple structure, so it is very easy to repair or change wearing parts.

Product Description

Character:

1. Simple operation, no need to inject liquid before starting.
2. Special inlet that has stainless steel non-return valve to ensure that the medium does not backflow.
3. High efficiency, and no need to install bottom valve.
4. Using the simple external mixing self priming structure, that has strong self priming ability.

Typical Uses:

The wearing part of CQZ series pump is stainless steel, the pump can be used to transfer not only water, but also corrosive medium, expensive liquid or the other physical and chemical medium. The medium temperature should be less or equal to 120°C. This product is widely apply to:



Height Up to Six Meters Stainless Steel Self Priming Magnetic Drive Centrifugal Pumps

Product Description:

CQ-Z magnetic self priming pump is a seal-less centrifugal pump, that belongs to the new generation self priming pump. CQ-Z magnetic self priming pump is the best substitute for the ordinary self priming pump. CQ-Z is perfect for the pump that needs to move frequently or the pump sits higher than the liquid level. Thus, it is one of the most popular product in Tengyu. CQ-Z pump is very cost effective, easy to use and maintain. It has relatively simple structure, so it is very easy to repair or change wearing parts.

Character:

1. Simple operation, no need to inject liquid before starting.
2. Special inlet that has stainless steel non-return valve to ensure that the medium does not backflow.
3. High efficiency, and no need to install bottom valve.
4. Using the simple external mixing self priming structure, that has strong self priming ability.

Typical Uses:

The wearing part of CQZ series pump is stainless steel, the pump can be used to transfer not only water, but also corrosive medium, expensive liquid or the other physical and chemical medium. The medium temperature should be less or equal to 120°C. This product is widely apply to:

Chemical Industry	Petroleum Industry	Pharmaceutical Industry
Biological Industry	Nuclear Power Plant	Nonferrous Metal
Food Industry	Automotive Industry	Municipal Water Supply

GENERAL

CQ-Z型磁力自吸泵，属于新一代自吸泵，是普通型自吸泵的替代产品。适用于工作时需要频繁移动，泵高于液面而且灌液不方便的情况，使用温度为-45°C~120°C。

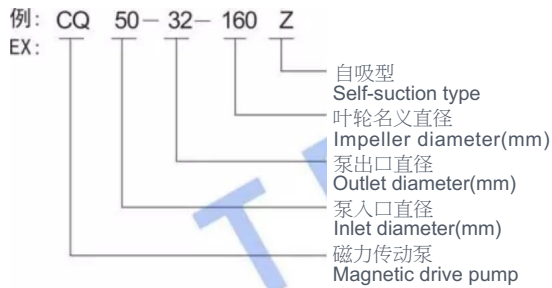
CQ-Z is applicable for the work occasion which the pump should move frequently or the pump higher than the liquid level, temperature is -45°C~120°C.

CHARACTER

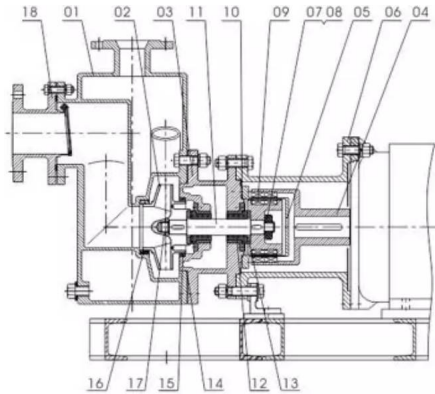
- ★启动前无需灌水，操作简单；
- ★进口设有独特的不锈钢单向阀，确保介质不会回流；
- ★无需安装底阀，机组效率高；
- ★采用外混式自吸结构，结构简单，自吸能力强。

- 1.No need watering before starting the pump, easy to operate;
2. There is special inlet stainless steel non-return valve to ensure the medium will not return;
3. No need to fix the bottom valve, high efficiency;
4. Adopt the external mixing type self-suction structure, simple structure.

MEANING OF THE MODEL



SKETCH MAP OF STRUCTURE



- | | |
|----------------------------|---------------------------|
| 01 泵体 Casing | 10后密封圈 Back seal ring |
| 02叶轮 Impeller | 11泵轴 Shaft |
| 03隔板 Dummy plate | 12滑动轴承 Slide bearing |
| 04外磁总成 Outer magnetic part | 13止推环 Thrust ring |
| 05隔离套 Insulate sheath | 14前密封圈 Anterior seal ring |
| 06联接架 Connect frame | 15后口环 Back mouth ring |
| 07锁紧螺母 Lock nut | 16前口环 Anterior mouth ring |
| 08防松垫片 Lock washer | 17叶轮螺母 Impeller nut |
| 09内磁总成 Inner magnetic part | 18单向阀 Check valve |

OPERATION PARAMETER

□径: DN20 ~ DN125mm
 流量: 0.8 ~ 200m³/h
 扬程: 8 ~ 75m
 转速: 2900r/min
 工作温度: 名120°C
 粘度: ^100mm²/s
 压力: ≧ 1.6Mpa
 电机功率: 0.37 ~ 90kW

Caliber: DN20 ~ DN125mm
 Capacity: 0.8 ~ 200m³/h
 Head: 8 ~ 75m
 Rotate speed: 2900r/min
 Work temperature: ^ 120°C
 Viscosity: ^100mm²/s
 Pressure: ≧ 1.6Mpa
 Motor power: 0.37 ~ 90kW

PERFORMANCE PARAMETER

型号 Model	流量 Capacity		扬程 Head (m)	转速 Rotate speed (r/min)	电机功率 Motor power (kW)	自吸高度 Self-suction height (m)	重量 Weight (kg)
	(m ³ /h)	(L/S)					
CQ20-15-105Z	0.8	0.22	12	2900	0.37	2.0	18
CQ25-15-105Z	1.6	0.44	12		0.55		20
CQ25-15-125Z			19		1.1	4.0	25
CQ25-15-160Z			32		1.5	3	40
CQ32-20-105Z			3.2		0.89	12.5	0.55
CQ32-20-125Z	19	1.1				4.0	40
CQ32-20-160Z	30	2.2				5.0	50
CQ32-20-200Z	50	4				3.2	65
CQ40-25-85Z	6.3	1.75	8		0.75	2.0	32
CQ40-25-105Z			12				40
CQ40-25-125Z			19		1.5	4.0	50
CQ40-25-160Z			31		3	5.0	62
CQ40-25-200Z			45		5.5		85
CQ50-32-85Z	12.5		8		1.1	4.0	60
CQ50-32-105Z			12		2.2		65
CQ50-32-125Z			19		3		78
CQ50-32-160Z			28		4	5.0	100
CQ50-32-200Z			47		7.5		140
CQ50-32-250Z			75		15	6.0	295
CQ65-50-125Z	25	6.94	19		5.5	5.0	110
CQ65-50-150Z			23		7.5		120
CQ65-50-160Z			30		7.5		120
CQ65-40-200Z			47		15		200
CQ65-40-250Z			75		18.5		6.0
CQ80-65-125Z	50	13.89	19		7.5	5.0	135
CQ80-65-160Z			26		15		200
CQ80-50-200Z			45		18.5		245
CQ80-50-250Z			75		37	6.0	405
CQ100-80-125Z	100	27.78	17	15	5.0	220	
CQ100-80-160Z			30	18.5		280	
CQ100-65-200Z			47	30		400	
CQ100-65-250Z			75	45		6.0	600
CQ125-100-200Z			200	55.50		47	55
CQ125-100-250Z	75	90			4.5	780	

注：性能超出此范围，可另行设计。还可以根据用户需要，另行设计增强聚丙烯、衬氟塑料磁力自吸泵。

Note: We can special design for you if the pump is not including in this table. We can also design reinforced polypropylene with fluoroplastics centrifugal self-priming pump according to the customers* demand.

По вопросам продаж и поддержки обращайтесь:

Алматы (7273)495-231	Казань (843)206-01-48	Новокузнецк (3843)20-46-81	Смоленск (4812)29-41-54
Архангельск (8182)63-90-72	Калининград (4012)72-03-81	Новосибирск (383)227-86-73	Сочи (862)225-72-31
Астрахань (8512)99-46-04	Калуга (4842)92-23-67	Омск (3812)21-46-40	Ставрополь (8652)20-65-13
Барнаул (3852)73-04-60	Кемерово (3842)65-04-62	Орел (4862)44-53-42	Сургут (3462)77-98-35
Белгород (4722)40-23-64	Киров (8332)68-02-04	Оренбург (3532)37-68-04	Тверь (4822)63-31-35
Брянск (4832)59-03-52	Краснодар (861)203-40-90	Пенза (8412)22-31-16	Томск (3822)98-41-53
Владивосток (423)249-28-31	Красноярск (391)204-63-61	Пермь (342)205-81-47	Тула (4872)74-02-29
Волгоград (844)278-03-48	Курск (4712)77-13-04	Ростов-на-Дону (863)308-18-15	Тюмень (3452)66-21-18
Вологда (8172)26-41-59	Липецк (4742)52-20-81	Рязань (4912)46-61-64	Ульяновск (8422)24-23-59
Воронеж (473)204-51-73	Магнитогорск (3519)55-03-13	Самара (846)206-03-16	Уфа (347)229-48-12
Екатеринбург (343)384-55-89	Москва (495)268-04-70	Санкт-Петербург (812)309-46-40	Хабаровск (4212)92-98-04
Иваново (4932)77-34-06	Мурманск (8152)59-64-93	Саратов (845)249-38-78	Челябинск (351)202-03-61
Ижевск (3412)26-03-58	Набережные Челны (8552)20-53-41	Севастополь (8692)22-31-93	Череповец (8202)49-02-64
Иркутск (395)279-98-46	Нижний Новгород (831)429-08-12	Симферополь (3652)67-13-56	Ярославль (4852)69-52-93
Россия (495)268-04-70	Киргизия (996)312-96-26-47	Казахстан (7172)727-132	