

WQ

## Технические характеристики

### По вопросам продаж и поддержки обращайтесь:

Алматы (7273)495-231	Казань (843)206-01-48	Новокузнецк (3843)20-46-81	Смоленск (4812)29-41-54
Архангельск (8182)63-90-72	Калининград (4012)72-03-81	Новосибирск (383)227-86-73	Сочи (862)225-72-31
Астрахань (8512)99-46-04	Калуга (4842)92-23-67	Омск (3812)21-46-40	Ставрополь (8652)20-65-13
Барнаул (3852)73-04-60	Кемерово (3842)65-04-62	Орел (4862)44-53-42	Сургут (3462)77-98-35
Белгород (4722)40-23-64	Киров (8332)68-02-04	Оренбург (3532)37-68-04	Тверь (4822)63-31-35
Брянск (4832)59-03-52	Краснодар (861)203-40-90	Пенза (8412)22-31-16	Томск (3822)98-41-53
Владивосток (423)249-28-31	Красноярск (391)204-63-61	Пермь (342)205-81-47	Тула (4872)74-02-29
Волгоград (844)278-03-48	Курск (4712)77-13-04	Ростов-на-Дону (863)308-18-15	Тюмень (3452)66-21-18
Вологда (8172)26-41-59	Липецк (4742)52-20-81	Рязань (4912)46-61-64	Ульяновск (8422)24-23-59
Воронеж (473)204-51-73	Магнитогорск (3519)55-03-13	Самара (846)206-03-16	Уфа (347)229-48-12
Екатеринбург (343)384-55-89	Москва (495)268-04-70	Санкт-Петербург (812)309-46-40	Хабаровск (4212)92-98-04
Иваново (4932)77-34-06	Мурманск (8152)59-64-93	Саратов (845)249-38-78	Челябинск (351)202-03-61
Ижевск (3412)26-03-58	Набережные Челны (8552)20-53-41	Севастополь (8692)22-31-93	Череповец (8202)49-02-64
Иркутск (395)279-98-46	Нижний Новгород (831)429-08-12	Симферополь (3652)67-13-56	Ярославль (4852)69-52-93
Россия (495)268-04-70	Киргизия (996)312-96-26-47	Казахстан (7172)727-132	

tgy@nt-rt.ru || <https://tengyu.nt-rt.ru/>



## Impeller with Knife Stainless Steel Submersible Water Pumps

WQ Sewage pump is applicable for the polluted waste water, water supply device, farm land irrigation. It could pump the waste water with particles and also can be used for clean water or corrosive liquid.

### Product Description

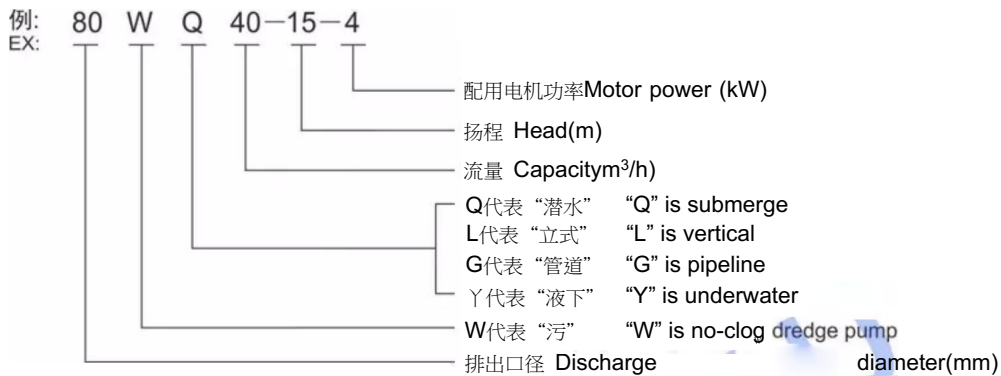
Tengyu Submersible Sewage pump is designed for water, wastewater and light slurry pumping. Residential, commercial, industrial & construction dewatering applications.

## APPLIED RANGE

该系列泵适用工厂、商业严重污染废水的排放，住宅区的污水排污站、城市污水处理厂排水系统、人防系统排水站、自来水厂的给水装置，医院、宾馆的污水排放，市政工程建筑工地、勘探、矿山配套附机，农村沼气池、农田灌溉等行业，输送带颗粒的污水，污物，也可用于清水及腐蚀性介质。

This pump is applicable for the badly polluted waste water, water supply device, march gas tank, farm land irrigation. it is could pumping the waste water with particle, also can be used for clean water or corrosive liquid.

## MEANING OF THE MODEL



## OPERATION PARAMETER

口径: DN25 ~ DN500mm

流量: 7 ~ 2650m<sup>3</sup>/h

扬程: 7 ~ 36m

转速: 2900r/min; 1450r/min; 960r/min; 720r/min

工作温度:  $\leq 60^{\circ}\text{C}$

粘度:  $\leq 100\text{mm}^2/\text{s}$

压力:  $\leq 1.6\text{Mpa}$

比重:  $< 1.3$

排污能力: 纤维长度  $\leq 5X$  口径

固体直径  $\leq 0.5X$  口径

电机功率: 0.55 ~ 280kW

Caliber: DN25—DN500mm

Capacity: 7 ~ 2650m<sup>3</sup>/h

Head: 7 ~ 36m

Rotate speed: 2900r/min; 1450r/min; 960r/min; 720r/min

Work temperature:  $\leq 60^{\circ}\text{C}$

Viscosity:  $\leq 100\text{mm}^2/\text{s}$

Pressure:  $\leq 1.6\text{Mpa}$

S.G.:  $\leq 1.3$

Note: Fibre length  $\leq 5X$  caliber

Particle diameter  $\leq 0.5X$  caliber

Motor power: 0.55 ~ 280kW



YW型  
YW TYPE



LW型  
LW TYPE

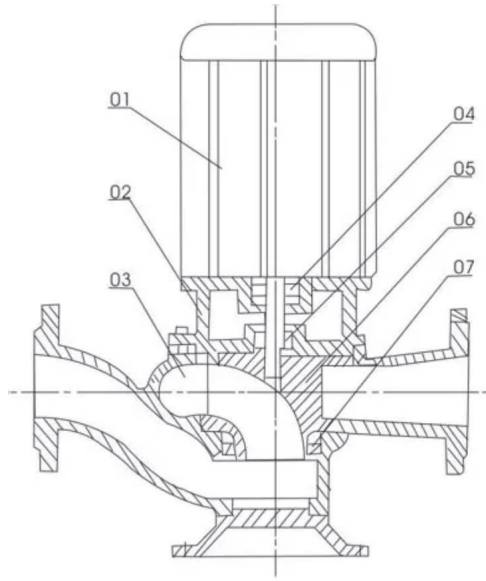


GW型  
GW TYPE



WQ型  
WQ TYPE

## SKETCH MAP OF STRUCTURE



- 01 电机 Motor
- 02 中间端盖 Middle end cap
- 03 泵体 Casing
- 04 密封水圈 Seal water ring
- 05 机械密封 Mechanical seal
- 06 叶轮 Impeller

## PERFORMANCE PARAMETER

型号 Model	出口口径 Outlet caliber (mm)	C(®) /	扬程 Head (m)	转速 Rotate speed (r/min)	功率 Power (kW)	效率 Efficiency (%)
25GW8-22-1.1	25	8	22	2900	1.1	45
32GW8-12-0.75	32	8	12	2900	0.75	56
40GW12-15-1.5	40	12	15	2900	1.5	48
40GW15-30-2.2	40	15	30	2900	2.2	48
50GW20-7-0.75	50	20	7	2900	0.75	60
50GW20-15-1.5	50	20	15	2900	1.5	51
50GW15-30-2.2	50	15	30	2900	2.2	51
65GW25-15-2.2	65	25	15	1450	2.2	53
65GW25-30-4	65	25	30	2900	4	59
80GW40-7-2.2	80	40	7	1450	2.2	50
80GW40-15-4	80	40	15	2900	4	62
80GW65-25-7.5	80	65	25	2900	7.5	60
80GW80-15-7.5	80	80	15	1450	7.5	60
100GW85-10-4	100	85	10	1450	4	65
100GW85-20-7.5	100	85	20	1450	7.5	54



## Stainless Steel Submersible Water Pumps

WQ Sewage pump is applicable for the polluted waste water, water supply device, farm land irrigation. It could pump the waste water with particles and also can be used for clean water or corrosive liquid.

### Product Description

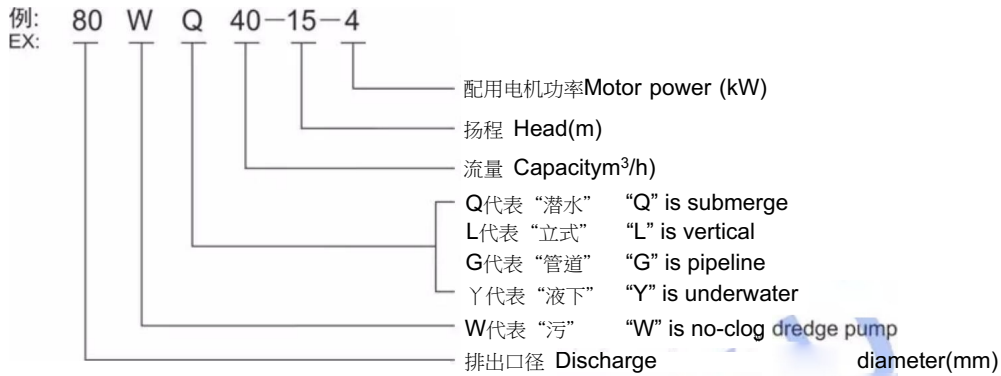
Tengyu Submersible Sewage pump is designed for water, wastewater and light slurry pumping. Residential, commercial, industrial & construction dewatering applications.

## APPLIED RANGE

该系列泵适用工厂、商业严重污染废水的排放，住宅区的污水排污站、城市污水处理厂排水系统、人防系统排水站、自来水厂的给水装置，医院、宾馆的污水排放，市政工程建筑工地、勘探、矿山配套附机，农村沼气池、农田灌溉等行业，输送带颗粒的污水，污物，也可用于清水及腐蚀性介质。

This pump is applicable for the badly polluted waste water, water supply device, march gas tank, farm land irrigation. it is could pumping the waste water with particle, also can be used for clean water or corrosive liquid.

## MEANING OF THE MODEL



## OPERATION PARAMETER

口径: DN25 ~ DN500mm

流量: 7 ~ 2650m<sup>3</sup>/h

扬程: 7 ~ 36m

转速: 2900r/min; 1450r/min; 960r/min; 720r/min

工作温度:  $\leq 60^{\circ}\text{C}$

粘度:  $\leq 100\text{mm}^2/\text{s}$

压力:  $\leq 1.6\text{Mpa}$

比重:  $< 1.3$

排污能力: 纤维长度  $\leq 5X$  口径

固体直径  $\leq 0.5X$  口径

电机功率: 0.55 ~ 280kW

Caliber: DN25—DN500mm

Capacity: 7 ~ 2650m<sup>3</sup>/h

Head: 7 ~ 36m

Rotate speed: 2900r/min; 1450r/min; 960r/min; 720r/min

Work temperature:  $\leq 60^{\circ}\text{C}$

Viscosity:  $\leq 100\text{mm}^2/\text{s}$

Pressure:  $\leq 1.6\text{Mpa}$

S.G.:  $\leq 1.3$

Note: Fibre length  $\leq 5X$  caliber

Particle diameter  $\leq 0.5X$  caliber

Motor power: 0.55 ~ 280kW



YW型  
YW TYPE



LW型  
LW TYPE

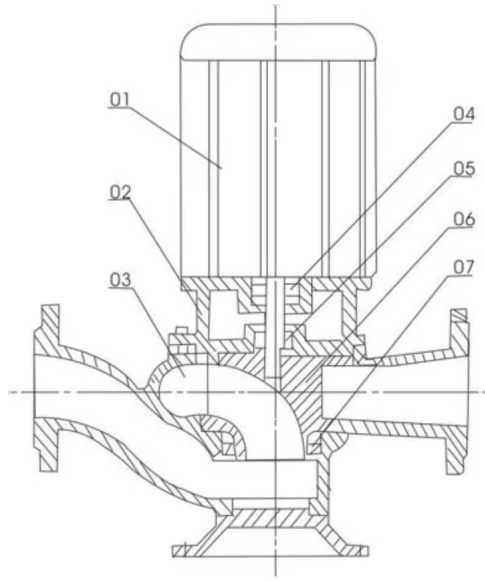


GW型  
GW TYPE



WQ型  
WQ TYPE

## SKETCH MAP OF STRUCTURE



- 01 电机 Motor
- 02 中间端盖 Middle end cap
- 03 泵体 Casing
- 04 密封水圈 Seal water ring
- 05 机械密封 Mechanical seal
- 06 叶轮 Impeller

## PERFORMANCE PARAMETER

型号 Model	出口口径 Outlet caliber (mm)	C(®) /	扬程 Head (m)	转速 Rotate speed (r/min)	功率 Power (kW)	效率 Efficiency (%)
25GW8-22-1.1	25	8	22	2900	1.1	45
32GW8-12-0.75	32	8	12	2900	0.75	56
40GW12-15-1.5	40	12	15	2900	1.5	48
40GW15-30-2.2	40	15	30	2900	2.2	48
50GW20-7-0.75	50	20	7	2900	0.75	60
50GW20-15-1.5	50	20	15	2900	1.5	51
50GW15-30-2.2	50	15	30	2900	2.2	51
65GW25-15-2.2	65	25	15	1450	2.2	53
65GW25-30-4	65	25	30	2900	4	59
80GW40-7-2.2	80	40	7	1450	2.2	50
80GW40-15-4	80	40	15	2900	4	62
80GW65-25-7.5	80	65	25	2900	7.5	60
80GW80-15-7.5	80	80	15	1450	7.5	60
100GW85-10-4	100	85	10	1450	4	65
100GW85-20-7.5	100	85	20	1450	7.5	54



## Sewage Treatment Sewage Centrifugal Pump

WQ Sewage pump is applicable for the polluted waste water, water supply device, farm land irrigation. It could pump the waste water with particles and also can be used for clean water or corrosive liquid.

### Product Description

Tengyu Submersible Sewage pump is designed for water, wastewater and light slurry pumping. Residential, commercial, industrial & construction dewatering applications.



## 应用范围

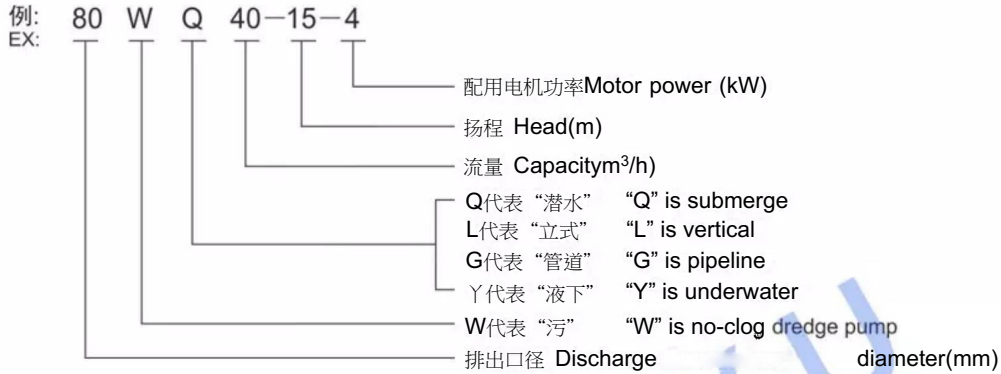
## APPLIED RANGE

该系列泵适用工厂、商业严重污染废水的排放，住宅区的污水排污站、城市污水处理厂排水系统、人防系统排水站、自来水厂的给水装置，医院、宾馆的污水排放，市政工程建筑工地、勘探、矿山配套附机，农村沼气池、农田灌溉等行业，输送带颗粒的污水，污物，也可用于清水及腐蚀性介质。

This pump is applicable for the badly polluted waste water, water supply device, march gas tank, farm land irrigation.it is could pumping the waste water with particle, also can be used for clean water or corrisive liquid.

## 型号意义

## MEANING OF THE MODEL



## 使用参数

## OPERATION PARAMETER

口径: DN25 ~ DN500mm

流量: 7 ~ 2650m<sup>3</sup>/h

扬程: 7 ~ 36m

转速: 2900r/min; 1450r/min; 960r/min; 720r/min

工作温度:  $\leq 60^{\circ}\text{C}$

粘度:  $\leq 100\text{mm}^2/\text{s}$

压力:  $\leq 1.6\text{Mpa}$

比重:  $< 1.3$

排污能力: 纤维长度  $\leq 5X$  口径  
固体直径  $\leq 0.5X$  口径

电机功率: 0.55 ~ 280kW

Caliber: DN 25—DN500mm

Capacity: 7 ~ 2650m<sup>3</sup>/h

Head: 7 ~ 36m

Rotate speed: 2900r/min; 1450r/min; 960r/min; 720r/min

Work temperature:  $\leq 60^{\circ}\text{C}$

Viscosity:  $\leq 100\text{mm}^2/\text{s}$

Pressure:  $\leq 1.6\text{Mpa}$

S.G.:  $\leq 1.3$

Note: Fibre length  $\leq 5X$  caliber

Particle diameter  $\leq 0.5X$  caliber

Motor power: 0.55 ~ 280kW



YW型  
YW TYPE



LW型  
LW TYPE



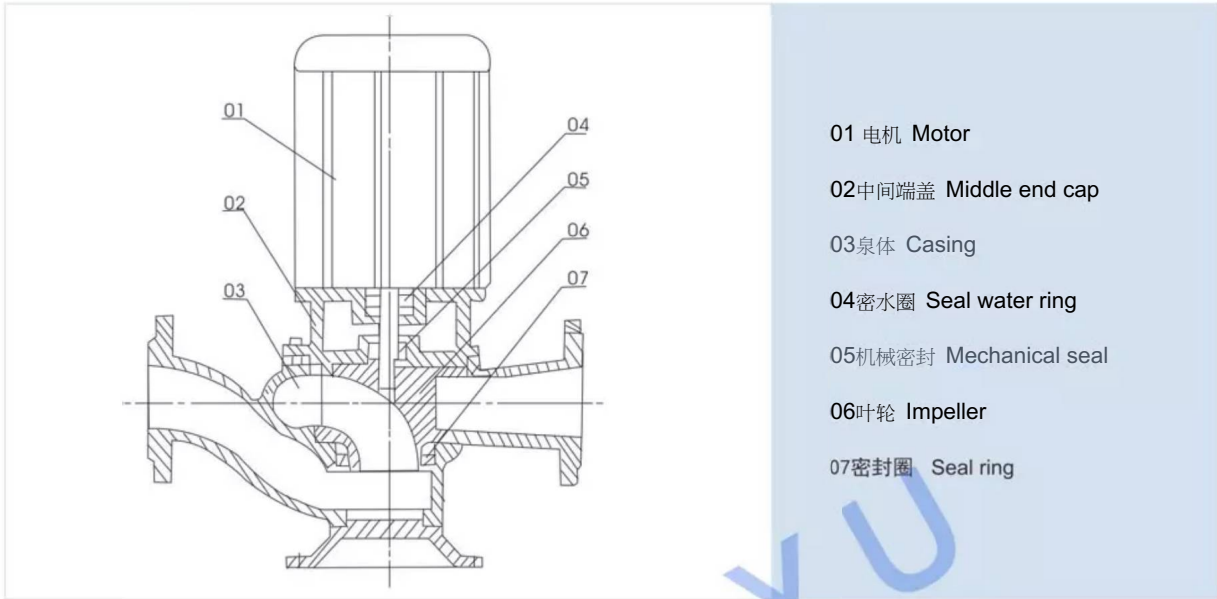
GW型  
GW TYPE



WQ型  
WQ TYPE

结构示意图

SKETCH MAP OF STRUCTURE



- 01 电机 Motor
- 02 中间端盖 Middle end cap
- 03 泵体 Casing
- 04 密水圈 Seal water ring
- 05 机械密封 Mechanical seal
- 06 叶轮 Impeller
- 07 密封圈 Seal ring

性能参数

PERFORMANCE PARAMETER

型号 Model	出口口径 Outlet caliber (mm)	C (®) /	扬程 Head (m)	转速 Rotate speed (r/min)	功率 Power (kW)	效率 Efficiency (%)
25GW8-22-1.1	25	8	22	2900	1.1	45
32GW8-12-0.75	32	8	12	2900	0.75	56
40GW12-15-1.5	40	12	15	2900	1.5	48
40GW15-30-2.2	40	15	30	2900	2.2	48
50GW20-7-0.75	50	20	7	2900	0.75	60
50GW20-15-1.5	50	20	15	2900	1.5	51
50GW15-30-2.2	50	15	30	2900	2.2	51
65GW25-15-2.2	65	25	15	1450	2.2	53
65GW25-30-4	65	25	30	2900	4	59
80GW40-7-2.2	80	40	7	1450	2.2	50
80GW40-15-4	80	40	15	2900	4	62
80GW65-25-7.5	80	65	25	2900	7.5	60
80GW80-15-7.5	80	80	15	1450	7.5	60
100GW85-10-4	100	85	10	1450	4	65
100GW85-20-7.5	100	85	20	1450	7.5	54



## Submersible Waste Water Sewage Pump No Blockage Centrifugal rump

WQ Sewage pump is applicable for the polluted waste water, water supply device, farm land irrigation. It could pump the waste water with particles and also can be used for clean water or corrosive liquid.

### Product Description

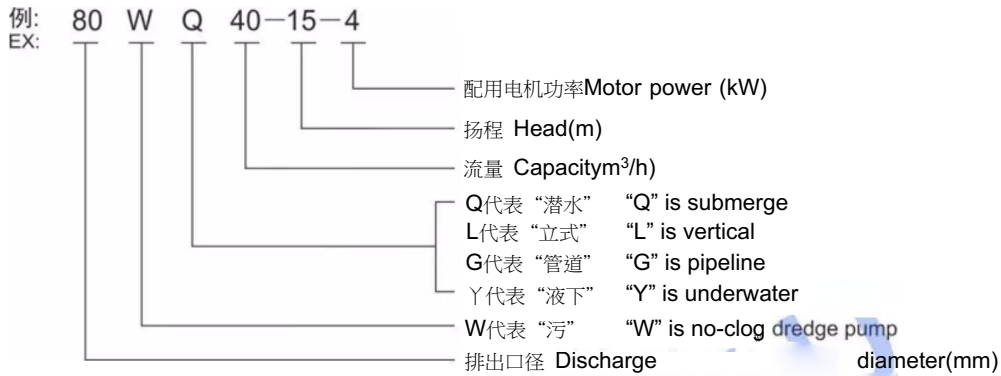
Tengyu Submersible Sewage pump is designed for water, wastewater and light slurry pumping. Residential, commercial, industrial & construction dewatering applications.

## APPLIED RANGE

该系列泵适用工厂、商业严重污染废水的排放，住宅区的污水排污站、城市污水处理厂排水系统、人防系统排水站、自来水厂的给水装置，医院、宾馆的污水排放，市政工程建筑工地、勘探、矿山配套附机，农村沼气池、农田灌溉等行业，输送带颗粒的污水，污物，也可用于清水及腐蚀性介质。

This pump is applicable for the badly polluted waste water, water supply device, march gas tank, farm land irrigation. it is could pumping the waste water with particle, also can be used for clean water or corrosive liquid.

## MEANING OF THE MODEL



## OPERATION PARAMETER

口径: DN25 ~ DN500mm

流量: 7 ~ 2650m<sup>3</sup>/h

扬程: 7 ~ 36m

转速: 2900r/min; 1450r/min; 960r/min; 720r/min

工作温度:  $\leq 60^{\circ}\text{C}$

粘度:  $\leq 100\text{mm}^2/\text{s}$

压力:  $\leq 1.6\text{Mpa}$

比重:  $< 1.3$

排污能力: 纤维长度  $\leq 5X$  口径

固体直径  $\leq 0.5X$  口径

电机功率: 0.55 ~ 280kW

Caliber: DN25—DN500mm

Capacity: 7 ~ 2650m<sup>3</sup>/h

Head: 7 ~ 36m

Rotate speed: 2900r/min; 1450r/min; 960r/min; 720r/min

Work temperature:  $\leq 60^{\circ}\text{C}$

Viscosity:  $\leq 100\text{mm}^2/\text{s}$

Pressure:  $\leq 1.6\text{Mpa}$

S.G.:  $\leq 1.3$

Note: Fibre length  $\leq 5X$  caliber

Particle diameter  $\leq 0.5X$  caliber

Motor power: 0.55 ~ 280kW



YW型  
YW TYPE



LW型  
LW TYPE

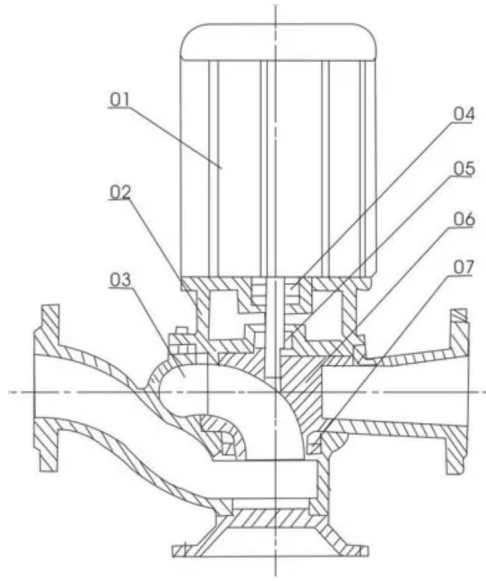


GW型  
GW TYPE



WQ型  
WQ TYPE

## SKETCH MAP OF STRUCTURE



- 01 电机 Motor
- 02 中间端盖 Middle end cap
- 03 泵体 Casing
- 04 密封水圈 Seal water ring
- 05 机械密封 Mechanical seal
- 06 叶轮 Impeller

## PERFORMANCE PARAMETER

型号 Model	出口口径 Outlet caliber (mm)	C(®) /	扬程 Head (m)	转速 Rotate speed (r/min)	功率 Power (kW)	效率 Efficiency (%)
25GW8-22-1.1	25	8	22	2900	1.1	45
32GW8-12-0.75	32	8	12	2900	0.75	56
40GW12-15-1.5	40	12	15	2900	1.5	48
40GW15-30-2.2	40	15	30	2900	2.2	48
50GW20-7-0.75	50	20	7	2900	0.75	60
50GW20-15-1.5	50	20	15	2900	1.5	51
50GW15-30-2.2	50	15	30	2900	2.2	51
65GW25-15-2.2	65	25	15	1450	2.2	53
65GW25-30-4	65	25	30	2900	4	59
80GW40-7-2.2	80	40	7	1450	2.2	50
80GW40-15-4	80	40	15	2900	4	62
80GW65-25-7.5	80	65	25	2900	7.5	60
80GW80-15-7.5	80	80	15	1450	7.5	60
100GW85-10-4	100	85	10	1450	4	65
100GW85-20-7.5	100	85	20	1450	7.5	54



## Submersible Sewage Waste Water Submerged Pump sewage Pump

WQ Sewage pump is applicable for the polluted waste water, water supply device, farm land irrigation. It could pump the waste water with particles and also can be used for clean water or corrosive liquid.

### Product Description

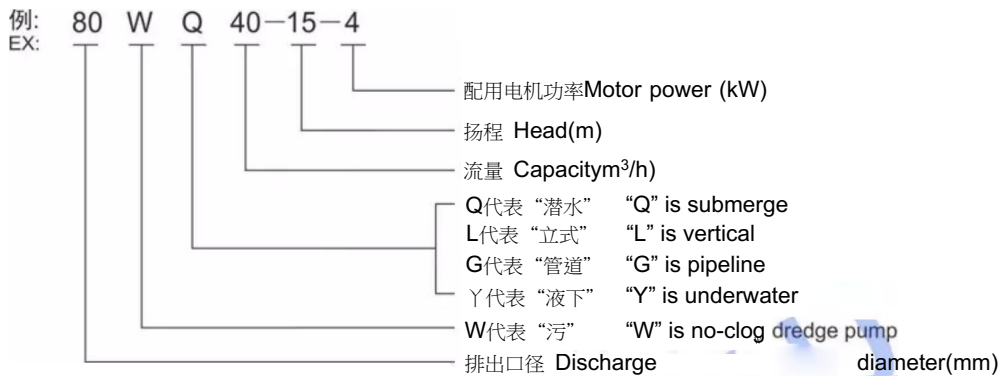
Tengyu Submersible Sewage pump is designed for water, wastewater and light slurry pumping. Residential, commercial, industrial & construction dewatering applications.

## APPLIED RANGE

该系列泵适用工厂、商业严重污染废水的排放，住宅区的污水排污站、城市污水处理厂排水系统、人防系统排水站、自来水厂的给水装置，医院、宾馆的污水排放，市政工程建筑工地、勘探、矿山配套附机，农村沼气池、农田灌溉等行业，输送带颗粒的污水，污物，也可用于清水及腐蚀性介质。

This pump is applicable for the badly polluted waste water, water supply device, march gas tank, farm land irrigation. it is could pumping the waste water with particle, also can be used for clean water or corrosive liquid.

## MEANING OF THE MODEL



## OPERATION PARAMETER

口径: DN25 ~ DN500mm

流量: 7 ~ 2650m<sup>3</sup>/h

扬程: 7 ~ 36m

转速: 2900r/min; 1450r/min; 960r/min; 720r/min

工作温度:  $\leq 60^{\circ}\text{C}$

粘度:  $\leq 100\text{mm}^2/\text{s}$

压力:  $\leq 1.6\text{Mpa}$

比重:  $< 1.3$

排污能力: 纤维长度  $\leq 5X$  口径

固体直径  $\leq 0.5X$  口径

电机功率: 0.55 ~ 280kW

Caliber: DN25—DN500mm

Capacity: 7 ~ 2650m<sup>3</sup>/h

Head: 7 ~ 36m

Rotate speed: 2900r/min; 1450r/min; 960r/min; 720r/min

Work temperature:  $\leq 60^{\circ}\text{C}$

Viscosity:  $\leq 100\text{mm}^2/\text{s}$

Pressure:  $\leq 1.6\text{Mpa}$

S.G.:  $\leq 1.3$

Note: Fibre length  $\leq 5X$  caliber

Particle diameter  $\leq 0.5X$  caliber

Motor power: 0.55 ~ 280kW



YW型  
YW TYPE



LW型  
LW TYPE



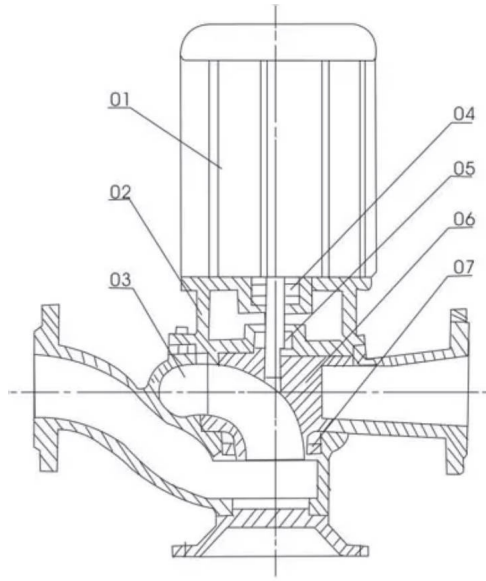
GW型  
GW TYPE



WQ型  
WQ TYPE



## SKETCH MAP OF STRUCTURE



- 01 电机 Motor
- 02 中间端盖 Middle end cap
- 03 泵体 Casing
- 04 密封水圈 Seal water ring
- 05 机械密封 Mechanical seal
- 06 叶轮 Impeller

## PERFORMANCE PARAMETER

型号 Model	出口口径 Outlet caliber (mm)	C(®) /	扬程 Head (m)	转速 Rotate speed (r/min)	功率 Power (kW)	效率 Efficiency (%)
25GW8-22-1.1	25	8	22	2900	1.1	45
32GW8-12-0.75	32	8	12	2900	0.75	56
40GW12-15-1.5	40	12	15	2900	1.5	48
40GW15-30-2.2	40	15	30	2900	2.2	48
50GW20-7-0.75	50	20	7	2900	0.75	60
50GW20-15-1.5	50	20	15	2900	1.5	51
50GW15-30-2.2	50	15	30	2900	2.2	51
65GW25-15-2.2	65	25	15	1450	2.2	53
65GW25-30-4	65	25	30	2900	4	59
80GW40-7-2.2	80	40	7	1450	2.2	50
80GW40-15-4	80	40	15	2900	4	62
80GW65-25-7.5	80	65	25	2900	7.5	60
80GW80-15-7.5	80	80	15	1450	7.5	60
100GW85-10-4	100	85	10	1450	4	65
100GW85-20-7.5	100	85	20	1450	7.5	54



**По вопросам продаж и поддержки обращайтесь:**

Алматы (7273)495-231	Казань (843)206-01-48	Новокузнецк (3843)20-46-81	Смоленск (4812)29-41-54
Архангельск (8182)63-90-72	Калининград (4012)72-03-81	Новосибирск (383)227-86-73	Сочи (862)225-72-31
Астрахань (8512)99-46-04	Калуга (4842)92-23-67	Омск (3812)21-46-40	Ставрополь (8652)20-65-13
Барнаул (3852)73-04-60	Кемерово (3842)65-04-62	Орел (4862)44-53-42	Сургут (3462)77-98-35
Белгород (4722)40-23-64	Киров (8332)68-02-04	Оренбург (3532)37-68-04	Тверь (4822)63-31-35
Брянск (4832)59-03-52	Краснодар (861)203-40-90	Пенза (8412)22-31-16	Томск (3822)98-41-53
Владивосток (423)249-28-31	Красноярск (391)204-63-61	Пермь (342)205-81-47	Тула (4872)74-02-29
Волгоград (844)278-03-48	Курск (4712)77-13-04	Ростов-на-Дону (863)308-18-15	Тюмень (3452)66-21-18
Вологда (8172)26-41-59	Липецк (4742)52-20-81	Рязань (4912)46-61-64	Ульяновск (8422)24-23-59
Воронеж (473)204-51-73	Магнитогорск (3519)55-03-13	Самара (846)206-03-16	Уфа (347)229-48-12
Екатеринбург (343)384-55-89	Москва (495)268-04-70	Санкт-Петербург (812)309-46-40	Хабаровск (4212)92-98-04
Иваново (4932)77-34-06	Мурманск (8152)59-64-93	Саратов (845)249-38-78	Челябинск (351)202-03-61
Ижевск (3412)26-03-58	Набережные Челны (8552)20-53-41	Севастополь (8692)22-31-93	Череповец (8202)49-02-64
Иркутск (395)279-98-46	Нижний Новгород (831)429-08-12	Симферополь (3652)67-13-56	Ярославль (4852)69-52-93
Россия (495)268-04-70	Киргизия (996)312-96-26-47	Казахстан (7172)727-132	