



Технические характеристики

По вопросам продаж и поддержки обращайтесь:

Алматы (7273)495-231	Казань (843)206-01-48	Новокузнецк (3843)20-46-81	Смоленск (4812)29-41-54
Архангельск (8182)63-90-72	Калининград (4012)72-03-81	Новосибирск (383)227-86-73	Сочи (862)225-72-31
Астрахань (8512)99-46-04	Калуга (4842)92-23-67	Омск (3812)21-46-40	Ставрополь (8652)20-65-13
Барнаул (3852)73-04-60	Кемерово (3842)65-04-62	Орел (4862)44-53-42	Сургут (3462)77-98-35
Белгород (4722)40-23-64	Киров (8332)68-02-04	Оренбург (3532)37-68-04	Тверь (4822)63-31-35
Брянск (4832)59-03-52	Краснодар (861)203-40-90	Пенза (8412)22-31-16	Томск (3822)98-41-53
Владивосток (423)249-28-31	Красноярск (391)204-63-61	Пермь (342)205-81-47	Тула (4872)74-02-29
Волгоград (844)278-03-48	Курск (4712)77-13-04	Ростов-на-Дону (863)308-18-15	Тюмень (3452)66-21-18
Вологда (8172)26-41-59	Липецк (4742)52-20-81	Рязань (4912)46-61-64	Ульяновск (8422)24-23-59
Воронеж (473)204-51-73	Магнитогорск (3519)55-03-13	Самара (846)206-03-16	Уфа (347)229-48-12
Екатеринбург (343)384-55-89	Москва (495)268-04-70	Санкт-Петербург (812)309-46-40	Хабаровск (4212)92-98-04
Иваново (4932)77-34-06	Мурманск (8152)59-64-93	Саратов (845)249-38-78	Челябинск (351)202-03-61
Ижевск (3412)26-03-58	Набережные Челны (8552)20-53-41	Севастополь (8692)22-31-93	Череповец (8202)49-02-64
Иркутск (395)279-98-46	Нижний Новгород (831)429-08-12	Симферополь (3652)67-13-56	Ярославль (4852)69-52-93
Россия (495)268-04-70	Киргизия (996)312-96-26-47	Казахстан (7172)727-132	



Y Submerged Chemical Centrifugal Pump

Y submerged pump is vertical single-stage centrifugal pump. It is used to pump clean water, waste water and corrosive liquids. It can also pump corrosive liquids which contains solids after changing its material and structure. The pump is directly installed on the storage tank of the liquids to be transported without extra floor space, thus reducing capital construction investment.

Product Description

Character:

Sump pump for submersion depths down to 4 m.

Ball bearings that can be lubricated externally as an option (with patent).

Ideal for unloading tanks with no outlet on the tank floor.

Can be combined with injector for unloading larger containers as a tank unloading system

Solids possible*

Sophisticated bearing flushing offers reserves for difficult applications and high solids concentration in fluids.

Corrosive/toxic media are pumped in total safety (without fluid and vapours escaping into the environment).

Widely application:

- For transferring clean and little contaminated, lower and high temperature, chemical neutral and corrosive liquid. Refinery, petro-chemical industry, coal processing and
- lower temperature engineering.
- Chemical industry, paper-making, pulp, sugar and such like normal processing industry
- Water supply plant and sea water desalination
- Heat supply and air-conditioning system
- Auxiliary system of power station
- Environment protection engineering
- Ships and offshore engineering

PERFORMANCE PARAMETER

1.YPIYF型 YPIYF TYPE

型号 Model	口径 Caliber (mm)		流量 Capacity (m³/h)	扬程 Head (m)	转速 Rotate speed (r/min)	电机功率 Motor power (kW)	效率 Efficiency (%)
	进口 Inlet	出口 Outlet					
25Y-15	25	20	2	12	2900	0.75	35
			1.5	15			36
32Y-15	32	25	7.5	11.2	2900	1.5	48
			6.5	15			52
			5	20	1450	0.75	57
			3.2	4			39
40Y-20	40	32	12.5	18	2900	3	47
			10	20			51
			7.5	22	1450	0.75	55
			5	5.5			39
50Y-25	50	40	16.2	26.5	2900	4	54
			23	25			59
			27	23.3	1450	1.5	60
			12	6			42
65Y-25	65	50	35	20	2900	7.5	55
			30	25			60
			20	28	1450	2.2	65
			15	6.2			45
80Y-25	80	65	32	26.5	2900	7.5/11	58
			50	25			65
			60.8	20.5	1450	3	61
			25	6			48
100Y-30	100	80	70	35	2900	18.5/22	63
			100	30			68
			126	25	1450	4	63
			50	5.6			51

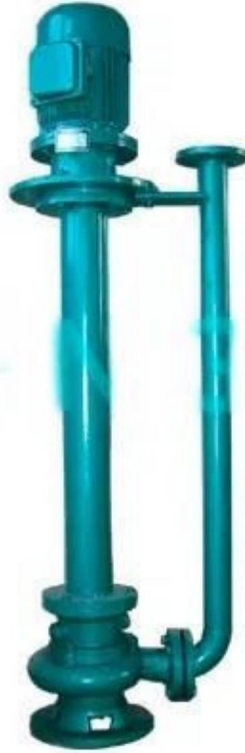
2.YS型 YS TYPE

型号 Model	排出口径 Outlet caliber (mm)	流量 Capacity		(10)	RotaS^A) eed (r/min)	电机功率 Motor power (kW)	效率 Efficiency (%)	
		(m³/h)	(L/S)					
25Y-22	25	2.88	0.80	22	2900	2.2	13	
		4.05	1.12	18			17	
		6.48	1.80	15			25	
25Y-30	25	2.88	0.80	30		3	3	13
		6.48	1.80	20				17
		9.00	2.52	15				25
40Y-18	40	6.48	1.80	18		2.2	2.2	32
		15.00	4.17	15				51
		21.60	6.00	12				40
40Y-22	40	8.10	2.24	22		3	3	44
		15.84	4.4	18				53
		20.00	5.50	15				44
40Y-25	40	5.76	1.60	25		4	4	14
		8.10	2.24	20				21
		13.32	3.70	15				30
40Y-35	40	10	2.8	34		4	4	50.6
		20	5.5	30				64
		30	8.3	24				63.5
40Y-50	40	6.48	1.80	50		7.5	7.5	14
		8.64	2.40	45				19
		14.40	4.00	35				30
50Y-20	50	18	5.0	20		4	4	60
		30	8.3	16				55
		35	9.7	12				44
50Y-35A	50	25	7.0	26	5.5	5.5	63	
		35	9.7	25			70	
		45	12.5	22			69	
50Y-35	50	30	8.3	35	7.5	7.5	58	
		45	12.5	32			70	
		55	15.1	28			66	
80Y-35A	80	45	12.5	26	11	11	62	
		69	19.2	22			67	
		90	25.0	19			63	
80Y-35	80	56	15.5	35	15	15	63	
		92	25.5	29			72	
		110	30.5	25			69	

3. YHIYB型 YHIYB TYPE

型号 Model	口径 Caliber (mm)		流量 Capacity		扬程 Head (m)	转速 Rotate speed (r/min)	电机功率 Motor power (kW)
	进口 Inlet	出口 Outlet	(m³/h)	(L/S)			
25Y-16	32	25	3.6	1	16	2900	1.5
25Y-16A			3.27	0.91	13		1.5
25Y-25			3.6	1	25		2.2
25Y-25A			3.27	0.91	20		2.2
25Y-41			3.6	1	41		5.5
25Y-41A			3.27	0.91	33		4
40Y-16	40	32	7.2	2	16		2.2
40Y-16A			6.55	1.82	13		1.5
40Y-26			7.2	2	26		3
40Y-26A			6.55	1.82	21		3
40Y-40			7.2	2	40		5.5
40Y-40A			6.55	1.82	32		5.5
50Y-16	50	40	14.4	4	16		3
50Y-16A			13.1	3.64	13		3
50Y-25			14.4	4	25		4
50Y-25A			13.1		20		3
50Y-40			14.4		40		7.5
50Y-40A					33		5.5
65Y-16	65	50	28.8	8	16	4	
65Y-16A			26.2	7.28	13	3	
65Y-25			28.8	8	25	5.5	
65Y-25A			26.2	7.28	21	5.5	
65Y-40			28.8	8	40	11	
65Y-40A			26.2	7.28	33	11	
80Y-15	80	65	54	15	15	7.5	
80Y-15A			49.1	13.65	12	7.5	
80Y-24			54	15	24	11	
80Y-24A			49.1	13.65	20	11	
80Y-38			54	15	38	18.5	
80Y-38A			49.1	13.65	31	15	
100Y-23	100	80	100.8	28	23	18.5	
100Y-23A			91.8	25.5	18	15	
100Y-37			100.8	28	37	22	
100Y-37A			91.8	25.5	31	22	

注：以上各种型号液下泵的液下深度均根据客户要求定做。
 Note:The depth for above submerged pump can be customized.



Stainless Steel Mechanical Seal Chemical Process Sump Pump Cantilever Pumps

Y submerged pump is submerged in the liquid when it is running. The fluid level is higher than the pump body. And the pump could start without liquid. The leaking liquid will return to tank via leak hole on central tube to avoid the leakage. The user could choose different wearing part material according to different liquid. Cast iron, stainless steel fibre glass, Rpp, fluoroplastic available.

Product Description

Our Y Series vertical pumps are designed for installation in a sump or a tank having only the casing and impeller submerged in the liquid.

Because of the lacking of mechanical seal and slide bearing in contact with the liquid, the cantilever pumps are easy to maintenance and reduce the downtime.

Y series pumps are developed to handle liquid that are difficult to seal such as paint coatings. There are many materials available based on different medium.

概述

GENERAL

Y系列液下泵采用浸没式设计，泵体浸没在贮罐的液体中。叶轮装于转轴的末端，使滚动轴承远离液体，使上部零件不受输送介质腐蚀，由于泵体浸没在液体中，只要液面高于泵体，即可不灌液而启动。输送时，泄漏液通过中心管上的泄漏孔回流到贮罐内。是输送不含悬浮固体颗粒，不易结晶，温度不高于100*6（热油循环泵温度为350°C）的各种腐蚀介质的最理想设备。根据输送介质的不同，泵过流部件材质分别有铸铁、不锈钢、铝合金、玻璃钢、增强聚丙烯、氟塑料等可供选择。

Y submerged pump is submerge in the liquid when it is running, the fluid level is higher than the pump body, the pump can start without liquid. The leaking liquid will return to tank via leak hole on central tube to avoid the leakage. The user could choose different wearing part material according different liquid, there are cast iron, stainless steel, fibre glass, RPP, fluoroplastic, etc.

应用范围

APPLIED RANGE

- 1、YH型铸铁泵主要用于输送浓硫酸、发烟硝酸、浓氢氟酸，70-90%硫酸+硝酸、碱、苯、甲烷、乙烷、苯胺等；
- 2、YB型不锈钢泵主要用于输送硝酸、酒石酸、丁烯酸、软脂酸、混酸等腐蚀性介质；
- 3、YL型铝泵主要用于输送硝酸、氢氰酸、亚硫酸、碳酸，80-100%磷酸、硼酸、甲酸、氯酸钾等强氧化性介质；
- 4、YR型热油循环泵主要用于油锅炉导热油输送高压釜加热，也可以用于高温的有机酸、有机化合物、碱、及其它无机化合物的输送；
- 5、YS型玻璃钢泵主要用于输送各种非氧化性酸(盐酸、稀硫酸、甲酸、醋酸、丁酸等)腐蚀性介质；
- 6、YF型氟塑料泵，YP型增强聚丙烯泵主要用于输送强酸、强碱等强腐蚀性介质。

1、YH (cast iron) series is applicable for transfer concentrated sulfuric acid, nitric acid fuming, concentrated hydrofluoric acid. 70-90% sulfuric acid + nitric acid, alkalibenzene, firedamp, ethane, anilin and so on ;

2、YB pump can be used to transfer the corrosive liquid ,for example, nitric acid, tartaric acid, butylenes, palmitic acid, mix acid, etc;

3、YL series (aluminum material) is applicable to transfer strong oxygenize liquid, such as nitric acid, hydrocyanic acid, sulfurous acid, carbonic acid, 80-100% phosphoric acid, boracic acid, potassium chlorate.

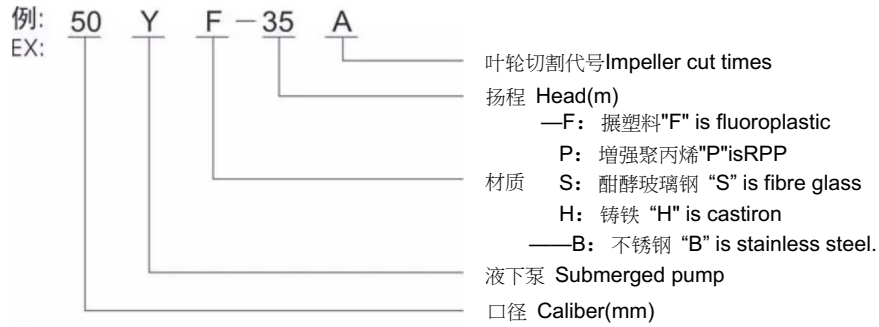
4、YR hot oil cycle pump is special for transfer the heat-transfer oil, or organic acid, organic compounds, and other inorganic compound, etc;

5、YS fibre glass pump is applicable for transfer the corrosive liquid, for example, various non-oxidizing acid(hydrochloric acid, dilute sulfuric acid, acetic acid, butanoic acid);

6、YF fluoroplastic pump and YP RPP pump can be used to transfer the strong corrosive liquid, such as strong acid, strong alkali.



MEANING OF THE MODEL



OPERATION PARAMETER

口径: DN25 ~ DN100mm

流量: 1.5 ~ 126m³/h

扬程: 4 ~ 50m

转速: 2900r/min; 1450r/min

工作温度: <100°C

粘度: [^]150mm²/s

压力: [《]1.6Mpa (金属泵); ^名1.0Mpa (非金属泵)

型号分类: YP (增强聚丙烯); YF (氟塑料); YS (玻璃钢);

YH (铸铁); YB (不锈钢)

液下深度: [^]2.0m (非金属泵); [^]5.0m (金属泵)

电机功率: 0.75 ~ 22kW

Caliber: DN25 ~ DN100mm

Capacity: 1.5 ~ 126m³/h

Head: 4 ~ 50m

Rotate speed: 2900r/min; 1450r/min

Work temperature: [≥] 100°C

Viscosity: [≥] 150mm²/s

Pressure: [≥] 1.6Mpa (Metal pump) 1.0Mpa (Non-metal pump)

Range and material: YP (Polypropylene); YF (Fluoroplastic);

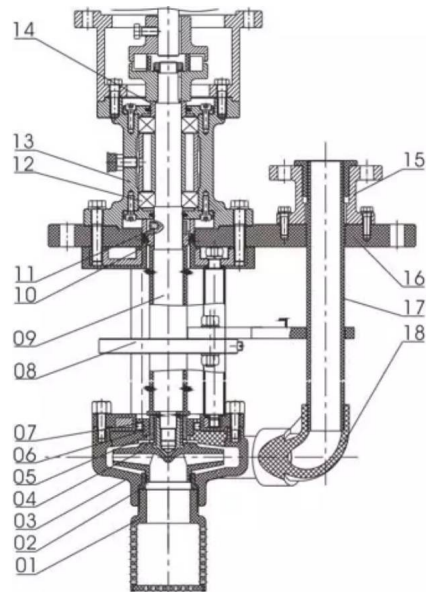
YS (Fiber glass); YH (Cast iron); YB (Stainless steel)

Submerged Deepness: [^]2.0m (Non-metal pump); [^]5.0m (Metal pump)

Motor power: 0.75 ~ 22kW

SKETCH

- 01 过滤罩 Filter cap
- 02 进水口环轴承 Inlet mouth ring
- 03 泵体 Casing
- 04 叶轮 Impeller
- 05 动环轴承 Rotor ring bearing
- 06 静环轴承 Stator ring bearing
- 07 泵盖 Pump cover
- 08 衬F46支架组合件 Lining F6 frame assembly
- 09 衬塑主轴组合件 Lining plastic shaft assembly
- 10 动环轴承 Rotor ring bearing
- 11 固定套 Mounting sleeve
- 12 深沟球轴承 Deep groove ball bearing
- 13 轴承体 Bearing body
- 14 压紧轴套 Pressing shaft sleeve
- 15 出口 法兰座 Outlet flange seat
- 16 塑料底盘 Plastic plate
- 17 出液管 Discharge pipe
- 18 弯头 Angle fitting



PERFORMANCE PARAMETER

1.YPIYF型 YPIYF TYPE

型号 Model	口径 Caliber (mm)		流量 Capacity (m³/h)	扬程 Head (m)	转速 Rotate speed (r/min)	电机功率 Motor power (kW)	效率 Efficiency (%)
	进口 Inlet	出口 Outlet					
25Y-15	25	20	2	12	2900	0.75	35
			1.5	15			36
32Y-15	32	25	7.5	11.2	2900	1.5	48
			6.5	15			52
			5	20	1450	0.75	57
			3.2	4			39
40Y-20	40	32	12.5	18	2900	3	47
			10	20			51
			7.5	22	1450	0.75	55
			5	5.5			39
50Y-25	50	40	16.2	26.5	2900	4	54
			23	25			59
			27	23.3	1450	1.5	60
			12	6			42
65Y-25	65	50	35	20	2900	7.5	55
			30	25			60
			20	28	1450	2.2	65
			15	6.2			45
80Y-25	80	65	32	26.5	2900	7.5/11	58
			50	25			65
			60.8	20.5	1450	3	61
			25	6			48
100Y-30	100	80	70	35	2900	18.5/22	63
			100	30			68
			126	25	1450	4	63
			50	5.6			51

2.YS型 YS TYPE

型号 Model	排出口径 Outlet caliber (mm)	流量 Capacity		(10)	RotaS [^] eed (r/min)	电机功率 Motor power (kW)	效率 Efficiency (%)	
		(m³/h)	(L/S)					
25Y-22	25	2.88	0.80	22	2900	2.2	13	
		4.05	1.12	18			17	
		6.48	1.80	15			25	
25Y-30	25	2.88	0.80	30		3	3	13
		6.48	1.80	20				17
		9.00	2.52	15				25
40Y-18	40	6.48	1.80	18		2.2	2.2	32
		15.00	4.17	15				51
		21.60	6.00	12				40
40Y-22	40	8.10	2.24	22		3	3	44
		15.84	4.4	18				53
		20.00	5.50	15				44
40Y-25	40	5.76	1.60	25		4	4	14
		8.10	2.24	20				21
		13.32	3.70	15				30
40Y-35	40	10	2.8	34		4	4	50.6
		20	5.5	30				64
		30	8.3	24				63.5
40Y-50	40	6.48	1.80	50	7.5	7.5	14	
		8.64	2.40	45			19	
		14.40	4.00	35			30	
50Y-20	50	18	5.0	20	4	4	60	
		30	8.3	16			55	
		35	9.7	12			44	
50Y-35A	50	25	7.0	26	5.5	5.5	63	
		35	9.7	25			70	
		45	12.5	22			69	
50Y-35	50	30	8.3	35	7.5	7.5	58	
		45	12.5	32			70	
		55	15.1	28			66	
80Y-35A	80	45	12.5	26	11	11	62	
		69	19.2	22			67	
		90	25.0	19			63	
80Y-35	80	56	15.5	35	15	15	63	
		92	25.5	29			72	
		110	30.5	25			69	

По вопросам продаж и поддержки обращайтесь:

Алматы (7273)495-231	Казань (843)206-01-48	Новокузнецк (3843)20-46-81	Смоленск (4812)29-41-54
Архангельск (8182)63-90-72	Калининград (4012)72-03-81	Новосибирск (383)227-86-73	Сочи (862)225-72-31
Астрахань (8512)99-46-04	Калуга (4842)92-23-67	Омск (3812)21-46-40	Ставрополь (8652)20-65-13
Барнаул (3852)73-04-60	Кемерово (3842)65-04-62	Орел (4862)44-53-42	Сургут (3462)77-98-35
Белгород (4722)40-23-64	Киров (8332)68-02-04	Оренбург (3532)37-68-04	Тверь (4822)63-31-35
Брянск (4832)59-03-52	Краснодар (861)203-40-90	Пенза (8412)22-31-16	Томск (3822)98-41-53
Владивосток (423)249-28-31	Красноярск (391)204-63-61	Пермь (342)205-81-47	Тула (4872)74-02-29
Волгоград (844)278-03-48	Курск (4712)77-13-04	Ростов-на-Дону (863)308-18-15	Тюмень (3452)66-21-18
Вологда (8172)26-41-59	Липецк (4742)52-20-81	Рязань (4912)46-61-64	Ульяновск (8422)24-23-59
Воронеж (473)204-51-73	Магнитогорск (3519)55-03-13	Самара (846)206-03-16	Уфа (347)229-48-12
Екатеринбург (343)384-55-89	Москва (495)268-04-70	Санкт-Петербург (812)309-46-40	Хабаровск (4212)92-98-04
Иваново (4932)77-34-06	Мурманск (8152)59-64-93	Саратов (845)249-38-78	Челябинск (351)202-03-61
Ижевск (3412)26-03-58	Набережные Челны (8552)20-53-41	Севастополь (8692)22-31-93	Череповец (8202)49-02-64
Иркутск (395)279-98-46	Нижний Новгород (831)429-08-12	Симферополь (3652)67-13-56	Ярославль (4852)69-52-93
Россия (495)268-04-70	Киргизия (996)312-96-26-47	Казахстан (7172)727-132	