

# CQC

## Технические характеристики

### По вопросам продаж и поддержки обращайтесь:

Алматы (7273)495-231	Казань (843)206-01-48	Новокузнецк (3843)20-46-81	Смоленск (4812)29-41-54
Архангельск (8182)63-90-72	Калининград (4012)72-03-81	Новосибирск (383)227-86-73	Сочи (862)225-72-31
Астрахань (8512)99-46-04	Калуга (4842)92-23-67	Омск (3812)21-46-40	Ставрополь (8652)20-65-13
Барнаул (3852)73-04-60	Кемерово (3842)65-04-62	Орел (4862)44-53-42	Сургут (3462)77-98-35
Белгород (4722)40-23-64	Киров (8332)68-02-04	Оренбург (3532)37-68-04	Тверь (4822)63-31-35
Брянск (4832)59-03-52	Краснодар (861)203-40-90	Пенза (8412)22-31-16	Томск (3822)98-41-53
Владивосток (423)249-28-31	Красноярск (391)204-63-61	Пермь (342)205-81-47	Тула (4872)74-02-29
Волгоград (844)278-03-48	Курск (4712)77-13-04	Ростов-на-Дону (863)308-18-15	Тюмень (3452)66-21-18
Вологда (8172)26-41-59	Липецк (4742)52-20-81	Рязань (4912)46-61-64	Ульяновск (8422)24-23-59
Воронеж (473)204-51-73	Магнитогорск (3519)55-03-13	Самара (846)206-03-16	Уфа (347)229-48-12
Екатеринбург (343)384-55-89	Москва (495)268-04-70	Санкт-Петербург (812)309-46-40	Хабаровск (4212)92-98-04
Иваново (4932)77-34-06	Мурманск (8152)59-64-93	Саратов (845)249-38-78	Челябинск (351)202-03-61
Ижевск (3412)26-03-58	Набережные Челны (8552)20-53-41	Севастополь (8692)22-31-93	Череповец (8202)49-02-64
Иркутск (395)279-98-46	Нижний Новгород (831)429-08-12	Симферополь (3652)67-13-56	Ярославль (4852)69-52-93
Россия (495)268-04-70	Киргизия (996)312-96-26-47	Казахстан (7172)727-132	



## CQC Magnetic Gear Pump High Viscosity Media Gear Pump External Gear Pump

CQC Magnetic Gear Pump is a new high-tech product developed by our company and owns all independent intellectual property rights. CQC stainless steel magnetic gear pump is designed to be able to transport viscous medium in high pressure and does not allow the occurrence of liquid leakage occasions. The pump has stable operation, low vibration and low noise, which ensures high viscosity measurement and long life of the pump. These advantages make this product not only in the field of conveying viscous medium but also in the water treatment, food and other industries of metering transport or canning industry has been widely used.

## Product Description

### Character:

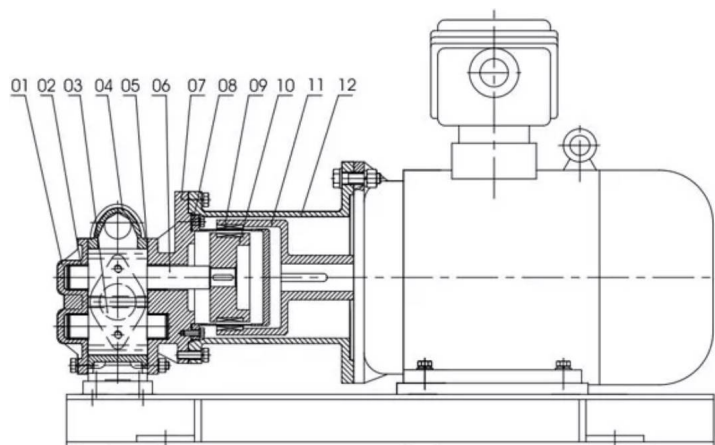
1. Using the one of the world's most outstanding hydraulic model to reduce energy consumption.
2. Using the high magnetic performance of permanent magnetic material to ensure enough magnetic torque.
3. The lower eddy current insulation sleeve design gives higher efficiency to the pump.
4. The specially designed lubrication cooling system and the automatic balance of axial force ensure the safe operation of the pump.
5. The sliding bearing is made of superior material and with the advanced hydrodynamic lubrication structure, the reliability of the pump and the life of the bearing are guaranteed.
6. Equipped with liquid break and overload automatic stop device, which can effectively prevent the magnetic pump idling dry grind and motor overload.

### Typical Uses:

The wearing part of CQC series pump is stainless steel, the medium temperature should be less than 250°C. This product is widely apply to:

Chemical Industry	Petroleum Industry	Pharmaceutical Industry
Biological Industry	Nuclear Power Plant	Nonferrous Metal
Food Industry	Automotive Industry	Municipal Water Supply

## SKETCH MAP OF STRUCTURE



- 01 前盖 Front cover
- 02 滑动轴承 Slide bearing
- 03 从动齿轮 Passive gear
- 04 泵体 Casing
- 05 泵盖垫 Pump cover pad
- 06 主动齿轮 Capstan gear
- 07 后盖 Back cover
- 08 隔离套垫 Insulate sheath pad
- 09 隔离套 Insulate sheath
- 10 内磁总成 Inner magnetic part
- 11 外磁转子 Outer magnetic part
- 12 联接架 Connect frame

## PERFORMANCE PARAMETER

型号 Model	流量 Capacity		出口压力 Outlet pressure (Mpa)	进口真空度 Inlet degree of vacuum	进出口径 Inlet & outlet caliber	转速 Rotate speed (r/min)	功率 Power (kW)
	(m³/h)	(L/S)					
CQC1.1-1.45	1.1	18.3	1.45	0.05	G3/4	1450	2.2
CQC2-1.45	2	33.3	<45	Q.Q5	G3/4	1450	3
CQC3.3-0.33	3.3	55	0.33	0.05	G1	1450	2.2
CQC5-0.33	5	83.3	0.3 <sup>^</sup>	0.05	G11/2	1450	3
CQC8-0.33		133	0.33	0.05	G2	960	4
CQC8-0.6	8	133	0.6	0.05	G2	960	5.5
CQC8-1	8	133	1	0.05	G2	960	7.5
CQC12-0.13	12	200	0.13	0.05	G2	1450	5.5
CQC12-0.33	12	200	0.6	0.05	G2	1450	5.5
CQC12-0.6	12	200	0.33	0.05	G2	1450	7.5
CQC12-1	12	200	1	0.05	G2	1450	11
CQC18-0.36	18	300	0.36	0.05	70mm	960	7.5
CQC18-0.6	18	300	0.6	0.05	70mm	960	11
CQC29-0.36	29	483	0.36	0.05	70mm	1450	11
CQC29-0.6	29	483	0.6	0.05	70mm	1450	15
CQC38-0.28	38	633	0.28	0.05	100mm	960	15
CQC60-0.3	60	960	0.3	0.05	100mm	1450	18.5

注：性能超出此范围工况，可另加。

Note: We can special design for you if the pump is not including in this table.

**По вопросам продаж и поддержки обращайтесь:**

Алматы (7273)495-231	Казань (843)206-01-48	Новокузнецк (3843)20-46-81	Смоленск (4812)29-41-54
Архангельск (8182)63-90-72	Калининград (4012)72-03-81	Новосибирск (383)227-86-73	Сочи (862)225-72-31
Астрахань (8512)99-46-04	Калуга (4842)92-23-67	Омск (3812)21-46-40	Ставрополь (8652)20-65-13
Барнаул (3852)73-04-60	Кемерово (3842)65-04-62	Орел (4862)44-53-42	Сургут (3462)77-98-35
Белгород (4722)40-23-64	Киров (8332)68-02-04	Оренбург (3532)37-68-04	Тверь (4822)63-31-35
Брянск (4832)59-03-52	Краснодар (861)203-40-90	Пенза (8412)22-31-16	Томск (3822)98-41-53
Владивосток (423)249-28-31	Красноярск (391)204-63-61	Пермь (342)205-81-47	Тула (4872)74-02-29
Волгоград (844)278-03-48	Курск (4712)77-13-04	Ростов-на-Дону (863)308-18-15	Тюмень (3452)66-21-18
Вологда (8172)26-41-59	Липецк (4742)52-20-81	Рязань (4912)46-61-64	Ульяновск (8422)24-23-59
Воронеж (473)204-51-73	Магнитогорск (3519)55-03-13	Самара (846)206-03-16	Уфа (347)229-48-12
Екатеринбург (343)384-55-89	Москва (495)268-04-70	Санкт-Петербург (812)309-46-40	Хабаровск (4212)92-98-04
Иваново (4932)77-34-06	Мурманск (8152)59-64-93	Саратов (845)249-38-78	Челябинск (351)202-03-61
Ижевск (3412)26-03-58	Набережные Челны (8552)20-53-41	Севастополь (8692)22-31-93	Череповец (8202)49-02-64
Иркутск (395)279-98-46	Нижний Новгород (831)429-08-12	Симферополь (3652)67-13-56	Ярославль (4852)69-52-93
Россия (495)268-04-70	Киргизия (996)312-96-26-47	Казахстан (7172)727-132	