

# S

## Технические характеристики

### По вопросам продаж и поддержки обращайтесь:

Алматы (7273)495-231	Казань (843)206-01-48	Новокузнецк (3843)20-46-81	Смоленск (4812)29-41-54
Архангельск (8182)63-90-72	Калининград (4012)72-03-81	Новосибирск (383)227-86-73	Сочи (862)225-72-31
Астрахань (8512)99-46-04	Калуга (4842)92-23-67	Омск (3812)21-46-40	Ставрополь (8652)20-65-13
Барнаул (3852)73-04-60	Кемерово (3842)65-04-62	Орел (4862)44-53-42	Сургут (3462)77-98-35
Белгород (4722)40-23-64	Киров (8332)68-02-04	Оренбург (3532)37-68-04	Тверь (4822)63-31-35
Брянск (4832)59-03-52	Краснодар (861)203-40-90	Пенза (8412)22-31-16	Томск (3822)98-41-53
Владивосток (423)249-28-31	Красноярск (391)204-63-61	Пермь (342)205-81-47	Тула (4872)74-02-29
Волгоград (844)278-03-48	Курск (4712)77-13-04	Ростов-на-Дону (863)308-18-15	Тюмень (3452)66-21-18
Вологда (8172)26-41-59	Липецк (4742)52-20-81	Рязань (4912)46-61-64	Ульяновск (8422)24-23-59
Воронеж (473)204-51-73	Магнитогорск (3519)55-03-13	Самара (846)206-03-16	Уфа (347)229-48-12
Екатеринбург (343)384-55-89	Москва (495)268-04-70	Санкт-Петербург (812)309-46-40	Хабаровск (4212)92-98-04
Иваново (4932)77-34-06	Мурманск (8152)59-64-93	Саратов (845)249-38-78	Челябинск (351)202-03-61
Ижевск (3412)26-03-58	Набережные Челны (8552)20-53-41	Севастополь (8692)22-31-93	Череповец (8202)49-02-64
Иркутск (395)279-98-46	Нижний Новгород (831)429-08-12	Симферополь (3652)67-13-56	Ярославль (4852)69-52-93
Россия (495)268-04-70	Киргизия (996)312-96-26-47	Казахстан (7172)727-132	



## Single Stage Double Suction Split Case Water Pumps

Single stage double suction centrifugal pumps are horizontally split case pumps. They are used to transfer clean water or other liquids similar to water in physical and chemical properties.

### Product Description

Character:

1. horizontal split-case centrifugal pump
2. The main component: pump body, pump cover, impeller, shaft, double suction seal ring, shaft sleeves.
3. Flexible coupling driven by motor.
4. The shaft seal is soft stuffing box seals
5. The pump turning direction is clockwise

Widely application:

Chemical Industry	Irrigation	Pharmaceutical Industry
Biological Industry	Municipal Water Supply	Nonferrous Metal
Food Industry	Automotive Industry	Municipal Water Supply

**PERFORMANCE PARAMETER**

型号 Model	流量 Capacity		扬程 Head <m>	转速 (r/min)	功率 Power(kW)		效率 Efficiency (%)	必需汽 蚀余量 NPSHr (m)	叶轮直径 Imoeller diameter (mm)	重量 Weight (kg)
	(m³/h)	(L/S)			轴功率 Shaft power	电机功率 Motor power				
150S78	126	35	84	2900	40	55	72	5	248	150
	162	45	78		46.5		74			
	198	55	70		52.4		72			
150S78A	112	31	67	2900	30	45	68	5	220	150
	144	40	62		33.8		72			
	180	50	55		38.5		70			
150S50	130	36.2	52	2900	25.3	37	73.9	5	200	145
	170	47.2	47.6		27.6		79.8			
	220	61.2	35		31.3		67			
150S50A	120	31	43.8	2900	18.5	30	72	5	186	145
	144	40	40		20.9		75			
	180	50	35		24.5		70			
200S95	180	50	100	2900	81.8	110	60	5	284	245
	234	65	93.5		86.3		69			
	288	80	82.5		91.1		71			
200S95A	160	44.5	85	2900	60.8	90	61	4.5	262	445
	215	59.7	75		64.2		69			
	265	73.6	70		71.4		71			
200S63	213	60	69	2900	55	15	74	5.5	236	265
	288	80	62.5		61.6		79.5			
	351	97.5	50		67.8		70.5			
200S63A	180	50	54.5	2900	41	55	65	5.5	220	265
	270	70	46		48.3		70			
	324	90	37.5		51		65			
200S42	216	60	48	<900	34.9	45	81	5.5	204	219
	288	80	41.5		38.1		85			
	342	95	35		40.2		81			
200S42A	198	55	43	2900	30.5	37	76	5.5	193	219
	270	75	36		33.1		80			
	310	86	31		34.4		76			
250S65	360	100	71	1450	88.1	132	79	3	460	565
	485	135	65.1		112		77			
	612	170	56		129.6		72			
250S65A	342	95	61	1450	72	110	79	3	430	565
	468	130	54		86		80			
	540	150	50		98		75			
250S39	360	100	42.5	1450	55.5	75	75	3.2	367	428
	486	135	38.5		61.5		83			
	612	170	32.5		67.7		80			
250S39A	324	90	35.5	1450	40.2	55	78	3.2	338	428
	468	130	30.5		45.7		85			
	576	160	25		47.8		82			
250S24	360	100	27	1450	33.1	45	80	3.5	296	420
	486	135	23.5		36.2		86			
	576	160	19		36.4		82			

(续)

型号 Model	流量 Capacity		扬程 Head (m)	转速 Rotate speed (r/min)	功率 Power(kW)		效率 Efficiency (%)	必需汽 蚀余量 NPSHr (m)	叶轮直径 Imoeller diameter (mm)	重最 Weight (kg)
	(n?4i)	(L/S)			轴功率 Shaft power	电机功率 Motor power				
250S24A	342	95	22.2	1450	25.8	37	80	3.5	270	420
	414	115	20.3		27.6		83			
	482	134	17.4		28.6		80			
250S14	360	100	17.5	1450	21.4	30	80	3.8	240	405
	486	135	14		21.8		85			
	576	160	11		22.1		78			
250S14A	320	89	13.3	1450	15.4	22	78	3.8	224	405
	432	120	11		15.8		82			
	504	140	8.6		15.8		75			
300S90	590	164	98	1450	213	315	74	4	540	847
	792	220	90		250		77.5			
	936	260	82		279		75			
300S90A	576	160	86	1450	190	280	71	4	510	845
	755	210	78		217		74			
	918	255	70		246		71			
300S90B	540	150	72	1450	151	250	70	4	475	845
	720	200	67		180		73			
	900	250	57		200		70			
300S58	576	160	65	1450	127.5	185	80	4.5	435	572
	792	220	58		150		83.5			
	972	270	50		167.5		79			
300S58A	530	147	55	1450	99.2	160	80	4.5	402	572
	720	200	49		Li6		83			
	893	248	42		131		78			
300S58B	504	140	47.2	1450	82.5	132	79	4.5	378	572
	684	190	43		97.7		82			
	835	232	37		108		78			
170 300S32	612		38	1450	76.2	90	83	4.5	352	809
	792	220	32.2		80.3		86.5			
	900	250	25.5		78.1		80.1			
300S32A	550	153	31	1450	58.1	75	80	4.5	322	809
	720	200	26		60.7		84			
	810	225	20.5		58		78			
300S19	612	170	23	1450	47.9	55	80	4.5	290	660
	792	220	19.4		51		82			
	935	260	14		47.6		75			
300S19A	504	140	20	1450	34.8	45	79	4.5	262	660
	720	200	16		38.3		82			
	900	250	11.5		37.6		75			
300S12	611	170	14.5	1450	30.3	37	80	4.5	248	660
	792	220	12		32		81			
	900	250	10		33.1		74			
300S12A	522	145	11.8	1450	22.4	30	75	4.5	225	660
	685	190	10		23.3		80			
	792	220	8.7		24.4		77			

(续)

L 号 el	流量 Capacity		扬程 Head (m)	转速 Rotate speed (r/min)	功率 Power(kW)		效率 Efficiency (%)	— 必 蚀 钱 NPSH (m)	叶轮直径 Imoeller diameter (mm)	重 量 Weight (kg)
	(rT/h)	(L/S)			轴功率 Shaft power	电机功率 Motor power				
350S125	850	141.7	140	1450	462	710	70	5.4	655	1580
	1260	350	125		534		80.5			
	1660	461	100		627.9		75			
350S125A	803	223	125	1450	391	630	70	5.4	620	1580
	1181	328	112		462		78			
	1570	436	90		550		70			
350S125B	745	207	108	1450	313	500	70	5.4	575	1580
	1089	305	96		373		77			
	1458	405	77		424.5		72			
350S75	972	270	80	1450	271	355	78	5.8	500	1200
	1260	350	75		303		85.2			
	1440	400	65		319		80			
350S75A	900	250	70	1450	220	280	78	5.8	465	1200
	1170	325	65		247		81			
	1332	370	56		257		79			
350S75B	828	230	59	1450	177	220	75	5.8	428	1200
	1080	300	55		197		82			
	1224	340	47		203.5		77			
350S44	972	270	50	1450	164	220	78	6.3	410	1105
	1260	350	43.8		177		84			
	1480	410	37		188		79			
350S44A	864	240	41	1450	121	185	80	6.3	380	1105
	1120	310	36		K30		84			
	1330	370	30		436		80			
350S26	712	270	30	1450	99.3	132	85	6.7	350	880
	1260	350	26		102		88			
	1440	400	22		105		82			
350S26A	864	240	26	1450	76.5	110	80	6.7	326	880
	1116	310	21		77		83			
	1296	360	16		80		73			
350S16	712	370	20	1450	64	75	83	7.1	290	760
	1260	350	16		64.5		85.3			
	1440	400	13		68.9		74			
350S16A	864	240	16	1450	51	55	74	7.1	270	760
	1044	290	13		48.8		78			
	1260	350	10		49		70			
500S98	1620	450	114	970	644.8	800	78	4	860	4330
	2020	561	98		678		79.5			
	2340	650	79		680.3		74			
500S98A	1500	416.7	96	970	509.3	630	77	4	800	4330
	1872	520	83		540		78.5			
	2170	602.8	67		542.4		73			
500S98B	1400	388.9	86	970	431.4	560	76	4	480	4330
	1746	485	74		452		78			
	2020	561	59		432.8		75			

(续)

号 el	流量 Capacity		扬程 Head (m)	转速 Rotate speed (r/min)	功率 Power(kW)		效率 Efficiency (%)	必需汽 蚀余量 NPSHr (m)	叶轮直径 Imoeller diameter (mm)	重ft Weight (kg)
	(nr?/h)	(L/S)			轴功率 Shaft power	电机功率 Motor power				
500S59	1620	450	67	970	374.2	450	79	4.5	682	2750
	2020	561	59		391		83			
	2340	650	47		374.4		80			
500S59A	1500	146.7	57	970	315	400	74	4.5	640	2750
	1872	520	49		333		75			
	2170	602.8	39		320		72			
500S59B	1400	388.9	46	970	240.2	315	73	4.5	600	2750
	1746	485	40		257		74			
	2020	561	32		247.9		71			
500S35	1620	450	40	970	207.6	280	85	4.8	550	2340
	2020	561	35		219		88			
	2340	650	28		209.9		85			
500S35A	1400	388.9	31	970	144	220	82	4.8	510	2340
	1746	485	27		151		85			
	2020	561	21		136.9		84			
500S22	1620	450	24	970	137.5	185	77	5.2	465	2010
	2020	561	22		144.1		84			
	2340	650	19		142.4		85			
500S22A	1400	388.9	20	970	103	132	74	5.5	427	2010
	1746	485	17		101		80			
	2020	561	14		93.9		82			
500S13	1620	450	15	970	83.8	J10	79	5.7	390	2000
	2020	561	13		86.2		83			
	2340	650	10		79.6		80			
600S75	3420	950	71	960	727	900	91	6	765	4300
600S75A	3168	880	61	960	585	710	90	6	710	4300
600S75(J)	2700	2700	39	730	319	355	90	6	765	4300
600S47	2502	695	56	970	460	560	83	6.5	630	3200
	3168	880	47.4		465		88			
	3499	972	38		426		80			
600S32	2480	700	37	970	295	355	86	7	540	2550
	3170	800	32		310		89			
	3960	1100	22		279		85			
600S32A	2304	640	31.5	970	235	280	84	7	500	2550
	2880	800	27		238		89			
	3600	1000	20		231		85			
600S22	2340	650	23.5	970	187	250	80	7	450	2500
	2880	800	21		195		84.5			
	3420	950	18		207		81			
600S22A	2340	650	17.5	970	145	185	77	7	415	2500
	2880	800	15.5		148		82			
	3420	950	13		154		78.5			



## S Model Single Stage Double Suction Centrifugal Pump

S single stage double suction centrifugal pumps are horizontally split case pumps. They are used to transfer clean water or other liquids similar to water in physical and chemical properties.

### Product Description

#### Character:

1. horizontal split-case centrifugal pump
2. The main component: pump body, pump cover, impeller, shaft, double suction seal ring, shaft sleeves.
3. Flexible coupling driven by motor.
4. The shaft seal is soft stuffing box seals
5. The pump turning direction is clockwise



Widely application:

Chemical Industry	Irrigation	Pharmaceutical Industry
Biological Industry	Municipal Water Supply	Nonferrous Metal
Food Industry	Automotive Industry	Municipal Water Supply

**PERFORMANCE PARAMETER**

型号 Model	流量 Capacity		扬程 Head <m>	转速 (r/min)	功率 Power(kW)		效率 Efficiency (%)	必需汽 蚀余量 NPSHr (m)	叶轮直径 Imoeller diameter (mm)	重量 Weight (kg)
	(m <sup>3</sup> /h)	(L/S)			轴功率 Shaft power	电机功率 Motor power				
150S78	126	35	84	2900	40	55	72	5	248	150
	162	45	78		46.5		74			
	198	55	70		52.4		72			
150S78A	112	31	67	2900	30	45	68	5	220	150
	144	40	62		33.8		72			
	180	50	55		38.5		70			
150S50	130	36.2	52	2900	25.3	37	73.9	5	200	145
	170	47.2	47.6		27.6		79.8			
	220	61.2	35		31.3		67			
150S50A	120	31	43.8	2900	18.5	30	72	5	186	145
	144	40	40		20.9		75			
	180	50	35		24.5		70			
200S95	180	50	100	2900	81.8	110	60	5	284	245
	234	65	93.5		86.3		69			
	288	80	82.5		91.1		71			
200S95A	160	44.5	85	2900	60.8	90	61	4.5	262	445
	215	59.7	75		64.2		69			
	265	73.6	70		71.4		71			
200S63	213	60	69	2900	55	15	74	5.5	236	265
	288	80	62.5		61.6		79.5			
	351	97.5	50		67.8		70.5			
200S63A	180	50	54.5	2900	41	55	65	5.5	220	265
	270	70	46		48.3		70			
	324	90	37.5		51		65			
200S42	216	60	48	<900	34.9	45	81	5.5	204	219
	288	80	41.5		38.1		85			
	342	95	35		40.2		81			
200S42A	198	55	43	2900	30.5	37	76	5.5	193	219
	270	75	36		33.1		80			
	310	86	31		34.4		76			
250S65	360	100	71	1450	88.1	132	79	3	460	565
	485	135	65.1		112		77			
	612	170	56		129.6		72			
250S65A	342	95	61	1450	72	110	79	3	430	565
	468	130	54		86		80			
	540	150	50		98		75			
250S39	360	100	42.5	1450	55.5	75	75	3.2	367	428
	486	135	38.5		61.5		83			
	612	170	32.5		67.7		80			
250S39A	324	90	35.5	1450	40.2	55	78	3.2	338	428
	468	130	30.5		45.7		85			
	576	160	25		47.8		82			
250S24	360	100	27	1450	33.1	45	80	3.5	296	420
	486	135	23.5		36.2		86			
	576	160	19		36.4		82			

(续)

型号 Model	流量 Capacity		扬程 Head (m)	转速 Rotate speed (r/min)	功率 Power(kW)		效率 Efficiency (%)	必需汽 蚀余量 NPSHr (m)	叶轮直径 Imoeller diameter (mm)	重番 Weight (kg)
	(nr <sup>5</sup> )	(L/S)			轴功率 Shaft power	电机功率 Motor power				
250S24A	342	95	22.2	1450	25.8	37	80	3.5	270	420
	414	115	20.3		27.6		83			
	482	134	17.4		28.6		80			
250S14	360	100	17.5	1450	21.4	30	80	3.8	240	405
	486	135	14		21.8		85			
	576	160	11		22.1		78			
250S14A	320	89	13.3	1450	15.4	22	78	3.8	224	405
	432	120	11		15.8		82			
	504	140	8.6		15.8		75			
300S90	590	164	98	1450	213	315	74	4	540	847
	792	220	90		250		77.5			
	936	260	82		279		75			
300S90A	576	160	86	1450	190	280	71	4	510	845
	755	210	78		217		74			
	918	255	70		246		71			
300S90B	540	150	72	1450	151	250	70	4	475	845
	720	200	67		180		73			
	900	250	57		200		70			
300S58	576	160	65	1450	127.5	155	80	4.5	435	572
	792	220	58		150		83.5			
	972	270	50		167.5		79			
300S58A	530	147	55	1450	99.2	160	80	4.5	402	572
	720	200	49		116		83			
	893	248	42		131		78			
300S58B	504	14 <sup>^</sup>	47.2	1450	82.5	132	79	4.5	378	572
	684	190	43		97.7		82			
	835	232	37		108		78			
300S32	612	170 <sup>^</sup>	38	1450	76.2	90	83	4.5	352	809
	792	220	32.2		80.3		86.5			
	900	250	25.5		78.1		80.1			
300S32A	550	153	31	1450	58.1	75	80	4.5	322	809
	720	200	26		60.7		84			
	810	225	20.5		58		78			
300S19	612	170	23	1450	47.9	55	80	4.5	290	660
	792	220	19.4		51		82			
	935	260	14		47.6		75			
300S19A	504	140	20	1450	34.8	45	79	4.5	262	660
	720	200	16		38.3		82			
	900	250	11.5		37.6		75			
300S12	611	170	14.5	1450	30.3	37	80	4.5	248	660
	792	220	12		32		81			
	900	250	10		33.1		74			
300S12A	522	145	11.8	1450	22.4	30	75	4.5	225	660
	685	190	10		23.3		80			
	792	220	8.7		24.4		77			

(续)

L 号 el	流量 Capacity		扬程 Head (m)	转速 Rotate speed (r/min)	功率 Power(kW)		效率 Efficiency (%)	必 齡 紐 SH m	叶 轮 直 径 Imoeller diameter (mm)	重 量 Weight (kg)
	(n?Ai)	(US)			轴功率 Shaft power	电机功率 Motor power				
350S125	850	141.7	140	1450	462	710	70	5.4	655	1580
	1260	350	125		534		80.5			
	1660	461	100		627.9		75			
350S125A	803	223	125	1450	391	630	70	5.4	620	1580
	1181	328	112		462		78			
	1570	436	90		550		70			
350S125B	745	207	108	1450	313	500	70	5.4	575	1580
	1089	305	96		373		77			
	1458	405	77		424.5		72			
350S75	972	270	80	1450	271	355	78	5.8	500	1200
	1260	350	75		303		85.2			
	1440	400	65		319		80			
350S75A	900	250	70	1450	220	280	78	發8	465	1200
	1170	325	65		247		81			
	1332	370	56		257		79			
350S75B	828	230	59	1450	177	220	75	5.8	428	1200
	1080	300	55		197		82			
	1224	340	47		203.5		77			
350S44	972	270	50	1450	164	220		6.3	410	1105
	1260	350	43.8		179		84			
	1480	410	37		188		79			
350S44A	864	240	41	1450	121	185	80	6.3	380	1105
	1120	310	36		M30		84			
	1330	370	30		<36		80			
350S26	712	270	30	^450	99.3	132	85	6.7	350	880
	1260	350	26		102		88			
	1440	400	22		105		82			
350S26A	864	240	26	1450	76.5	110	80	6.7	326	880
	1116	310	21		77		83			
	1296	360	16		80		73			
350S16	712	370	20	1450	64	75	83	7.1	290	760
	1260	350	16		64.5		85.3			
	1440	400	13		68.9		74			
350S16A	864	240	16	1450	51	55	74	7.1	270	760
	1044	290	13		48.8		78			
	1260	350	10		49		70			
500S98	1620	450	114	970	644.8	800	78	4	860	4330
	2020	561	98		678		79.5			
	2340	650	79		680.3		74			
500S98A	1500	416.7	96	970	509.3	630	77	4	800	4330
	1872	520	83		540		78.5			
	2170	602.8	67		542.4		73			
500S98B	1400	388.9	86	970	431.4	560	76	4	480	4330
	1746	485	74		452		78			
	2020	561	59		432.8		75			

(续)

L 号 el	流量 Capacity		扬程 Head (m)	转速 Rotate speed (r/min)	功率 Power(kW)		效率 Efficiency (%)	必需汽 蚀余量 NPSHr (m)	叶轮直径 Imoeller diameter (mm)	重ft Weight (kg)
	(nr?/h)	(L/S)			轴功率 Shaft power	电机功率 Motor power				
500S59	1620	450	67	970	374.2	450	79	4.5	682	2750
	2020	561	59		391		83			
	2340	650	47		374.4		80			
500S59A	1500	146.7	57	970	315	400	74	4.5	640	2750
	1872	520	49		333		75			
	2170	602.8	39		320		72			
500S59B	1400	388.9	46	970	240.2	315	73	4.5	600	2750
	1746	485	40		257		74			
	2020	561	32		247.9		71			
500S35	1620	450	40	970	207.6	280	85	4.8	550	2340
	2020	561	35		219		88			
	2340	650	28		209.9		85			
500S35A	1400	388.9	31	970	144	220	82	4.8	510	2340
	1746	485	27		151		85			
	2020	561	21		136.9		84			
500S22	1620	450	24	970	137.5	185	77	5.2	465	2010
	2020	561	22		144.1		84			
	2340	650	19		142.4		85			
500S22A	1400	388.9	20	970	103	132	74	5.5	427	2010
	1746	485	17		101		80			
	2020	561	14		93.9		82			
500S13	1620	450	15	970	83.8	J10	79	5.7	390	2000
	2020	561	13		86.2		83			
	2340	650	10		79.6		80			
600S75	3420	950	71	960	727	900	91	6	765	4300
600S75A	3168	880	61	960	585	710	90	6	710	4300
600S75(J)	2700	2700	39	730	319	355	90	6	765	4300
600S47	2502	695	56	970	460	560	83	6.5	630	3200
	3168	880	47.4		465		88			
	3499	972	38		426		80			
600S32	2480	700	37	970	295	355	86	7	540	2550
	3170	800	32		310		89			
	3960	1100	22		279		85			
600S32A	2304	640	31.5	970	235	280	84	7	500	2550
	2880	800	27		238		89			
	3600	1000	20		231		85			
600S22	2340	650	23.5	970	187	250	80	7	450	2500
	2880	800	21		195		84.5			
	3420	950	18		207		81			
600S22A	2340	650	17.5	970	145	185	77	7	415	2500
	2880	800	15.5		148		82			
	3420	950	13		154		78.5			



## Single Stage Double Suction Centrifugal Pumps Split Case Pump

S single stage double entry centrifugal pumps are latest designed model. It is energy-saving horizontally split case pumps and is used to handle clean water or other liquids similar to water in physical and chemical properties. In case if needed, they may be used to handle muddy sand or various corrosive liquids by changing their structure and materials.

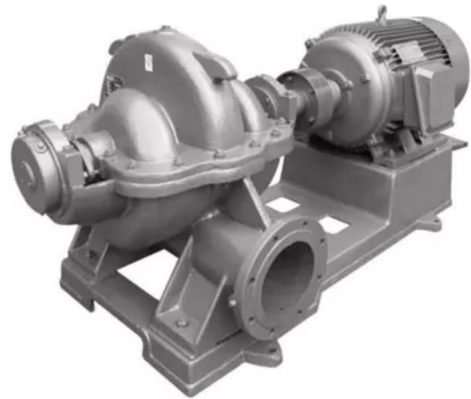
### Product Description

S model double suction is particularly suitable for higher flow application as it reduces thrust loads and allows for operation over a broad range of capacities. With proper application, pumps offer minimal power consumption, low maintenance costs, and extended service life.

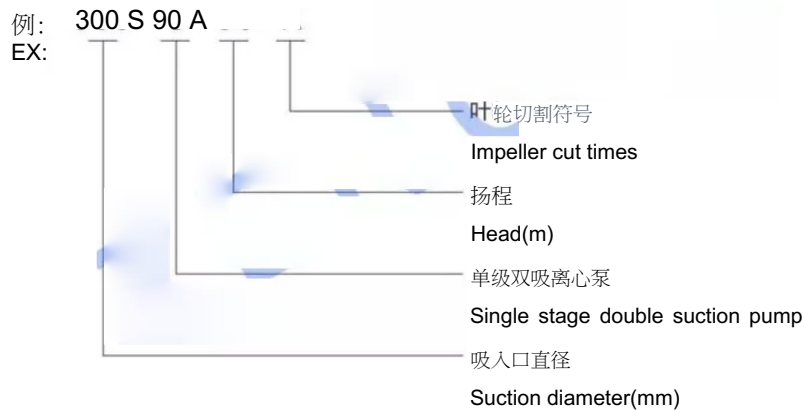
## GENERAL

S型单级双吸离心泵是新型节能卧式中开泵，供输送清水或物理化学性质类似于水的其他液体，根据用户需求，通过改变泵结构及材质可用于输送多泥砂水或各类腐蚀性液体，该系列泵适用于工厂、矿山、城市给排水、电站、农田排灌及各种水利工程。

S single-stage double entry centrifugal pumps are late-model energy-saving horizontally split pumps used to handle clean water or other liquids similar to water in physical and chemical properties. In case of needed, they may be used to handle muddy sand or various corrosive liquids by changing their structure and materials. This series of pumps are applicable for factories, mines, city water supply and drainage, power stations, agricultural irrigation and water conservancy.



## MEANING OF THE MODEL

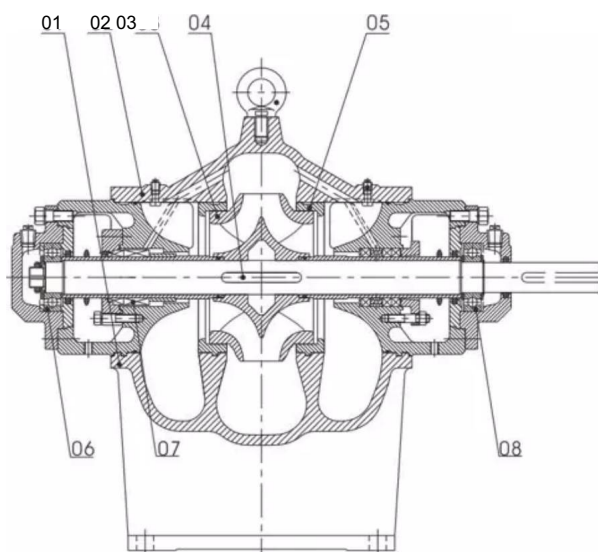


## OPERATION PARAMETER

口径: DN150 ~ DN600mm  
流量: 130 ~ 3400m<sup>3</sup>/h  
扬程: 10 ~ 125m  
转速: 2900r/min; 1450r/min; 970r/min;  
730r/min  
工作温度: 名 100C  
粘度: ^100mm<sup>2</sup>/s  
压力: 彡 1.6Mpa  
电机功率: 22 ~ 900kW

Caliber: DN150 ~ DN600mm  
Capacity: 130 ~ 3400m<sup>3</sup>/h  
Head: 10 ~ 125m  
Rotate speed: 2900r/min; 1450r/min; 970r/min;  
730r/min  
Work temperature: ^ 100\*0  
Viscosity: 名 100mm<sup>2</sup>/s  
Pressure: 彡 1.6Mpa  
Motor power: 22 ~ 900kW

## SKETCH MAP OF STRUCTURE



- 01泵体 Casing
- 02泵盖 Pump cover
- 03叶轮 Impeller
- 04泵轴 Shaft
- 05双吸密封环 Double suction seal ring
- 06轴套 Shaft sleeve
- 07机械密封 Mechanical seal
- 08 body

## CHARACTE

★该型泵为中开式结构，泵的吸入口均在水泵轴心线的下方，与轴线垂直成水平方向，检修时无需拆卸进出口水管及电机；

- ★泵主要零件有:泵体、泵盖、叶轮、轴、双吸密封环、轴套等；
- ★泵通过弹性联轴器由电动机直接传动.必要时亦可用内燃机传动；
- ★轴封为软填料密封（根据用户需要可采用机械密封结构）；
- ★从传动方向看去.水泵为顺时针方向旋转（根据用户需要亦可改为逆时针方向旋转）。

- 1 .The inlet and outlet are all under the pump axial lead, so there is no need to disassembly the pipe and motor;
2. The main component: pump body 、 pump cover, impeller, shaft 、 double suction seal ring shaft sleeve;
3. Elastic coupling drive via motor. If necessary it is also could drive by combustion motor;
4. The shaft seal is soft stuffing-box seals(It is can use mechanical seal too);
5. The pump turning direction is clockwise.



(续)

型号 Model	流量 Capacity		扬程 Head (m)	转速 Rotate speed (r/min)	功率 Power(kW)		效率 Efficiency (%)	必需汽 蚀余量 NPSHr (m)	叶轮直径 Imoeller diameter (mm)	重番 Weight (kg)
	(nr <sup>5</sup> ^)	(L/S)			轴功率 Shaft power	电机功率 Motor power				
250S24A	342	95	22.2	1450	25.8	37	80	3.5	270	420
	414	115	20.3		27.6		83			
	482	134	17.4		28.6		80			
250S14	360	100	17.5	1450	21.4	30	80	3.8	240	405
	486	135	14		21.8		85			
	576	160	11		22.1		78			
250S14A	320	89	13.3	1450	15.4	22	78	3.8	224	405
	432	120	11		15.8		82			
	504	140	8.6		15.8		75			
300S90	590	164	98	1450	213	315	74	4	540	847
	792	220	90		250		77.5			
	936	260	82		279		75			
300S90A	576	160	86	1450	190	280	71	4	510	845
	755	210	78		217		74			
	918	255	70		246		71			
300S90B	540	150	72	1450	151	250	70	4	475	845
	720	200	67		180		73			
	900	250	57		200		70			
300S58	576	160	65	1450	127.5	1\$5	80	4.5	435	572
	792	220	58		150		83.5			
	972	270	50		167.5		79			
300S58A	530	147	55	1450	99.2	160	80	4.5	402	572
	720	200	49		kl16		83			
	893	248	42		131		78			
300S58B	504	14(^)	47.2	^1450	82.5	132	79	4.5	378	572
	684	190	43		97.7		82			
	835	232	37		108		78			
300S32	612	170^	38	1450	76.2	90	83	4.5	352	809
	792	220	32.2		80.3		86.5			
	900	250	25.5		78.1		80.1			
300S32A	550	153	31	1450	58.1	75	80	4.5	322	809
	720	200	26		60.7		84			
	810	225	20.5		58		78			
300S19	612	170	23	1450	47.9	55	80	4.5	290	660
	792	220	19.4		51		82			
	935	260	14		47.6		75			
300S19A	504	140	20	1450	34.8	45	79	4.5	262	660
	720	200	16		38.3		82			
	900	250	11.5		37.6		75			
300S12	611	170	14.5	1450	30.3	37	80	4.5	248	660
	792	220	12		32		81			
	900	250	10		33.1		74			
300S12A	522	145	11.8	1450	22.4	30	75	4.5	225	660
	685	190	10		23.3		80			
	792	220	8.7		24.4		77			

**По вопросам продаж и поддержки обращайтесь:**

Алматы (7273)495-231	Казань (843)206-01-48	Новокузнецк (3843)20-46-81	Смоленск (4812)29-41-54
Архангельск (8182)63-90-72	Калининград (4012)72-03-81	Новосибирск (383)227-86-73	Сочи (862)225-72-31
Астрахань (8512)99-46-04	Калуга (4842)92-23-67	Омск (3812)21-46-40	Ставрополь (8652)20-65-13
Барнаул (3852)73-04-60	Кемерово (3842)65-04-62	Орел (4862)44-53-42	Сургут (3462)77-98-35
Белгород (4722)40-23-64	Киров (8332)68-02-04	Оренбург (3532)37-68-04	Тверь (4822)63-31-35
Брянск (4832)59-03-52	Краснодар (861)203-40-90	Пенза (8412)22-31-16	Томск (3822)98-41-53
Владивосток (423)249-28-31	Красноярск (391)204-63-61	Пермь (342)205-81-47	Тула (4872)74-02-29
Волгоград (844)278-03-48	Курск (4712)77-13-04	Ростов-на-Дону (863)308-18-15	Тюмень (3452)66-21-18
Вологда (8172)26-41-59	Липецк (4742)52-20-81	Рязань (4912)46-61-64	Ульяновск (8422)24-23-59
Воронеж (473)204-51-73	Магнитогорск (3519)55-03-13	Самара (846)206-03-16	Уфа (347)229-48-12
Екатеринбург (343)384-55-89	Москва (495)268-04-70	Санкт-Петербург (812)309-46-40	Хабаровск (4212)92-98-04
Иваново (4932)77-34-06	Мурманск (8152)59-64-93	Саратов (845)249-38-78	Челябинск (351)202-03-61
Ижевск (3412)26-03-58	Набережные Челны (8552)20-53-41	Севастополь (8692)22-31-93	Череповец (8202)49-02-64
Иркутск (395)279-98-46	Нижний Новгород (831)429-08-12	Симферополь (3652)67-13-56	Ярославль (4852)69-52-93
Россия (495)268-04-70	Киргизия (996)312-96-26-47	Казахстан (7172)727-132	