

CQF4

Технические характеристики

По вопросам продаж и поддержки обращайтесь:

Алматы (7273)495-231	Казань (843)206-01-48	Новокузнецк (3843)20-46-81	Смоленск (4812)29-41-54
Архангельск (8182)63-90-72	Калининград (4012)72-03-81	Новосибирск (383)227-86-73	Сочи (862)225-72-31
Астрахань (8512)99-46-04	Калуга (4842)92-23-67	Омск (3812)21-46-40	Ставрополь (8652)20-65-13
Барнаул (3852)73-04-60	Кемерово (3842)65-04-62	Орел (4862)44-53-42	Сургут (3462)77-98-35
Белгород (4722)40-23-64	Киров (8332)68-02-04	Оренбург (3532)37-68-04	Тверь (4822)63-31-35
Брянск (4832)59-03-52	Краснодар (861)203-40-90	Пенза (8412)22-31-16	Томск (3822)98-41-53
Владивосток (423)249-28-31	Красноярск (391)204-63-61	Пермь (342)205-81-47	Тула (4872)74-02-29
Волгоград (844)278-03-48	Курск (4712)77-13-04	Ростов-на-Дону (863)308-18-15	Тюмень (3452)66-21-18
Вологда (8172)26-41-59	Липецк (4742)52-20-81	Рязань (4912)46-61-64	Ульяновск (8422)24-23-59
Воронеж (473)204-51-73	Магнитогорск (3519)55-03-13	Самара (846)206-03-16	Уфа (347)229-48-12
Екатеринбург (343)384-55-89	Москва (495)268-04-70	Санкт-Петербург (812)309-46-40	Хабаровск (4212)92-98-04
Иваново (4932)77-34-06	Мурманск (8152)59-64-93	Саратов (845)249-38-78	Челябинск (351)202-03-61
Ижевск (3412)26-03-58	Набережные Челны (8552)20-53-41	Севастополь (8692)22-31-93	Череповец (8202)49-02-64
Иркутск (395)279-98-46	Нижний Новгород (831)429-08-12	Симферополь (3652)67-13-56	Ярославль (4852)69-52-93
Россия (495)268-04-70	Киргизия (996)312-96-26-47	Казахстан (7172)727-132	



Fluoroplastic Alloy No Seal Magnetic Drive Pump

Product Description:

CQF4 Fluoroplastic Alloy Magnetic Pump using nowadays excellent corrosion resistant materials-fluoroplastic alloy for its flow componets. Since the strong corrosion resistant,it can ensure the majority of strong acid,alkali,organic solvents and other chemical fluids transport safely under the sealed condition.

Product Description

Character:

1. Good Corrosion resistant,high mechanical robustness,non,ageing and non-toxin analytical
2. Non-metal distance sleeve,no eddy losing

3. The lower eddy current insulation sleeve design gives higher efficiency to the pump.

4. All wearing part is injection moulding,so the flow passage is very smooth,increase the efficiency of the pump

Typical Uses:

The wearing part of CQF4 series pump is fluoroplastic, the pump can be used to transfer not only water, but also corrosive medium, expensive liquid or the other physical and chemical medium. The medium temperature should be within -120°C to 350°C. This product is widely apply to:

Chemical Industry	Petroleum Industry	Pharmaceutical Industry
Biological Industry	Nuclear Power Plant	Nonferrous Metal
Food Industry	Automotive Industry	Municipal Water Supply



For Mixed Acid Solution Transferring Fluoroplastic Magnetic Drive Pump

Product Description:

CQF4 Fluoroplastic Alloy Magnetic Pump using nowadays excellent corrosion resistant materials-fluoroplastic alloy for its flow componets. Since the strong corrosion resistant,it can ensure the majority of strong acid,alkali,organic solvents and other chemical fluids transport safely under the sealed condition.

Product Description

Character:

1. Good Corrosion resistant,high mechanical robustness,non,ageing and non-toxin analytical
2. Non-metal distance sleeve,no eddy losing

3. The lower eddy current insulation sleeve design gives higher efficiency to the pump.

4. All wearing part is injection moulding,so the flow passage is very smooth,increase the efficiency of the pump

Typical Uses:

The wearing part of CQF4 series pump is fluoroplastic, the pump can be used to transfer not only water, but also corrosive medium, expensive liquid or the other physical and chemical medium. The medium temperature should be within -120°C to 350°C. This product is widely apply to:

Chemical Industry	Petroleum Industry	Pharmaceutical Industry
Biological Industry	Nuclear Power Plant	Nonferrous Metal
Food Industry	Automotive Industry	Municipal Water Supply



PP PVDF Plastic Magnetic Drive Pump Industrial Wastewater Transfer Pumps

Product Description:

CQF4 Fluoroplastic Alloy Magnetic Pump using nowadays excellent corrosion resistant materials-fluoroplastic alloy for its flow components. Since the strong corrosion resistant, it can ensure the majority of strong acid, alkali, organic solvents and other chemical fluids transport safely under the sealed condition.

Product Description

Character:

1. Good Corrosion resistant, high mechanical robustness, non-ageing and non-toxic analytical
2. Non-metal distance sleeve, no eddy lossing

3. The lower eddy current insulation sleeve design gives higher efficiency to the pump.

4. All wearing part is injection moulding,so the flow passage is very smooth,increase the efficiency of the pump

Typical Uses:

The wearing part of CQF4 series pump is fluoroplastic, the pump can be used to transfer not only water, but also corrosive medium, expensive liquid or the other physical and chemical medium. The medium temperature should be within -120°C to 350°C. This product is widely apply to:

Chemical Industry	Petroleum Industry	Pharmaceutical Industry
Biological Industry	Nuclear Power Plant	Nonferrous Metal
Food Industry	Automotive Industry	Municipal Water Supply



Magnetically Coupled Corrosive Liquid Transfer Acid-Base Pumps

Product Description:

CQF4 Fluoroplastic Alloy Magnetic Pump using nowadays excellent corrosion resistant materials-fluoroplastic alloy for its flow componets. Since the strong corrosion resistant,it can ensure the majority of strong acid,alkali,organic solvents and other chemical fluids transport safely under the sealed condition.

Product Description

Character:

1. Good Corrosion resistant,high mechanical robustness,non,ageing and non-toxin analytical
2. Non-metal distance sleeve,no eddy losing

3. The lower eddy current insulation sleeve design gives higher efficiency to the pump.

4. All wearing part is injection moulding,so the flow passage is very smooth,increase the efficiency of the pump

Typical Uses:

The wearing part of CQF4 series pump is fluoroplastic, the pump can be used to transfer not only water, but also corrosive medium, expensive liquid or the other physical and chemical medium. The medium temperature should be within -120°C to 350°C. This product is widely apply to:

Chemical Industry	Petroleum Industry	Pharmaceutical Industry
Biological Industry	Nuclear Power Plant	Nonferrous Metal
Food Industry	Automotive Industry	Municipal Water Supply



Organic Solvent Fluoroplastic Alloy Magnetic Pumps

Product Description:

CQF4 Fluoroplastic Alloy Magnetic Pump using nowadays excellent corrosion resistant materials-fluoroplastic alloy for its flow componets. Since the strong corrosion resistant,it can ensure the majority of strong acid,alkali,organic solvents and other chemical fluids transport safely under the sealed condition.

Product Description

Character:

1. Good Corrosion resistant,high mechanical robustness,non,ageing and non-toxin analytical
2. Non-metal distance sleeve,no eddy losing

3. The lower eddy current insulation sleeve design gives higher efficiency to the pump.

4. All wearing part is injection moulding,so the flow passage is very smooth,increase the efficiency of the pump

Typical Uses:

The wearing part of CQF4 series pump is fluoroplastic, the pump can be used to transfer not only water, but also corrosive medium, expensive liquid or the other physical and chemical medium. The medium temperature should be within -120°C to 350°C. This product is widely apply to:

Chemical Industry	Petroleum Industry	Pharmaceutical Industry
Biological Industry	Nuclear Power Plant	Nonferrous Metal
Food Industry	Automotive Industry	Municipal Water Supply



Fluoroplastic Magnetic Drive Pump Concentrated Nitric Acid Media Transfer Pump

Product Description:

CQF4 Fluoroplastic Alloy Magnetic Pump using nowadays excellent corrosion resistant materials-fluoroplastic alloy for its flow componets. Since the strong corrosion resistant,it can ensure the majority of strong acid,alkali,organic solvents and other chemical fluids transport safely under the sealed condition.

Product Description

Character:

1. Good Corrosion resistant,high mechanical robustness,non,ageing and non-toxin analytical

2. Non-metal distance sleeve,no eddy losing
3. The lower eddy current insulation sleeve design gives higher efficiency to the pump.
4. All wearing part is injection moulding,so the flow passage is very smooth,increase the efficiency of the pump

Typical Uses:

The wearing part of CQF4 series pump is fluoroplastic, the pump can be used to transfer not only water, but also corrosive medium, expensive liquid or the other physical and chemical medium. The medium temperature should be within -120°C to 350°C. This product is widely apply to:

Chemical Industry	Petroleum Industry	Pharmaceutical Industry
Biological Industry	Nuclear Power Plant	Nonferrous Metal
Food Industry	Automotive Industry	Municipal Water Supply



Chemical Acid and Alkali Resistant Sulphuric Acid Pumps PTFE Lining Pumps

Product Description:

CQF4 Fluoroplastic Alloy Magnetic Pump using nowadays excellent corrosion resistant materials-fluoroplastic alloy for its flow componets. Since the strong corrosion resistant,it can ensure the majority of strong acid,alkali,organic solvents and other chemical fluids transport safely under the sealed condition.

Product Description

Character:

1. Good Corrosion resistant,high mechanical robustness,non,ageing and non-toxin analytical

2. Non-metal distance sleeve,no eddy losing
3. The lower eddy current insulation sleeve design gives higher efficiency to the pump.
4. All wearing part is injection moulding,so the flow passage is very smooth,increase the efficiency of the pump

Typical Uses:

The wearing part of CQF4 series pump is fluoroplastic, the pump can be used to transfer not only water, but also corrosive medium, expensive liquid or the other physical and chemical medium. The medium temperature should be within -120°C to 350°C. This product is widely apply to:

Chemical Industry	Petroleum Industry	Pharmaceutical Industry
Biological Industry	Nuclear Power Plant	Nonferrous Metal
Food Industry	Automotive Industry	Municipal Water Supply



Self-priming Highly Corrosive Acid Centrifugal Pump, Industrial Pump PTFE Lined Chemical Process Pumps

Product Description:

CQF4 Fluoroplastic Alloy Magnetic Pump using nowadays excellent corrosion resistant materials-fluoroplastic alloy for its flow componets. Since the strong corrosion resistant,it can ensure the majority of strong acid,alkali,organic solvents and other chemical fluids transport safely under the sealed condition.

Product Description

Character:

1. Good Corrosion resistant,high mechanical robustness,non,ageing and non-toxin analytical

2. Non-metal distance sleeve,no eddy losing
3. The lower eddy current insulation sleeve design gives higher efficiency to the pump.
4. All wearing part is injection moulding,so the flow passage is very smooth,increase the efficiency of the pump

Typical Uses:

The wearing part of CQF4 series pump is fluoroplastic, the pump can be used to transfer not only water, but also corrosive medium, expensive liquid or the other physical and chemical medium. The medium temperature should be within -120°C to 350°C. This product is widely apply to:

Chemical Industry	Petroleum Industry	Pharmaceutical Industry
Biological Industry	Nuclear Power Plant	Nonferrous Metal
Food Industry	Automotive Industry	Municipal Water Supply

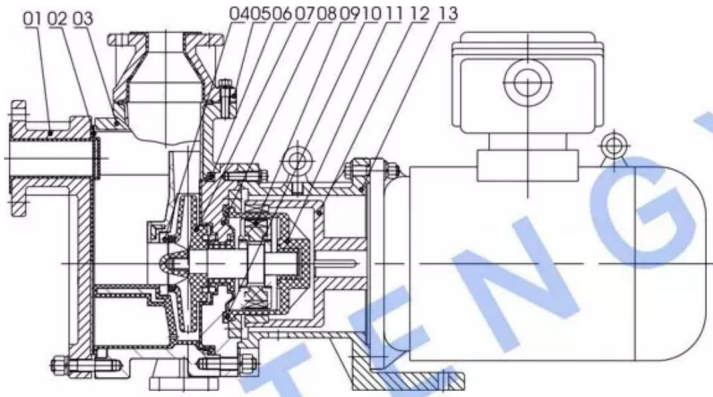
GENERAL

CQF₄-Z型磁力自吸泵，属于新一代自吸泵，是普通型自吸泵的替代产品。专为各种化工耐腐行业输送易燃，易爆、有毒、易挥发类化学介质工况而研制。其有高效节能、安全实用等特点。

CQF₄-Z fluoroplastic alloy magnetic pump is new type of self-suction pump, which can replace the old self-suction pumps. It is energy-efficient and safe.



SKETCH MAP OF STRUCTURE



- 01 前盖 Front cover
- 02 前盖密封圈 Seal ring
- 03 泵体 Casing
- 04 口环 Mouth ring
- 05 出口法兰 Outlet flange
- 06 泵体密封圈 Seal ring
- 07 叶轮 Impeller
- 08 泵盖 Pump cover
- 09 内磁总成 Inner magnetic part
- 10 隔离套密封圈 Seal ring
- 11 隔离套总成 Insulate sheath part
- 12 外磁总成 Outer magnetic part
- 13 联接架 Connect frame

PERFORMANCE PARAMETER

型号 Model	流量 Capacity (m ³ /h)	扬程 Head (m)	自吸高度 Self-suction height (m)	转速 Rotate speed (r/min)	电机功率 Motor power (kW)	必须汽蚀余量 NPSHr (m)	使用温度 Temperature (CC)
CQF ₄ 40-25-160Z	6	32	3	2900	4	3	<100
CQF ₄ 50-50-160Z	15	32	3		5.5	3	
CQF ₄ 50-50-200Z	12.5	48	3		7.5	3	
CQF ₄ 65-50-160Z	30	32	3		7.5	3.5	
CQF ₄ 65-40-200Z	25	45	3		11	4.5	
CQF ₄ 80-65-160Z	60	32	3		11	3.5	
CQF ₄ 80-65-200Z	50	45	3		18.5	4.5	

По вопросам продаж и поддержки обращайтесь:

Алматы (7273)495-231	Казань (843)206-01-48	Новокузнецк (3843)20-46-81	Смоленск (4812)29-41-54
Архангельск (8182)63-90-72	Калининград (4012)72-03-81	Новосибирск (383)227-86-73	Сочи (862)225-72-31
Астрахань (8512)99-46-04	Калуга (4842)92-23-67	Омск (3812)21-46-40	Ставрополь (8652)20-65-13
Барнаул (3852)73-04-60	Кемерово (3842)65-04-62	Орел (4862)44-53-42	Сургут (3462)77-98-35
Белгород (4722)40-23-64	Киров (8332)68-02-04	Оренбург (3532)37-68-04	Тверь (4822)63-31-35
Брянск (4832)59-03-52	Краснодар (861)203-40-90	Пенза (8412)22-31-16	Томск (3822)98-41-53
Владивосток (423)249-28-31	Красноярск (391)204-63-61	Пермь (342)205-81-47	Тула (4872)74-02-29
Волгоград (844)278-03-48	Курск (4712)77-13-04	Ростов-на-Дону (863)308-18-15	Тюмень (3452)66-21-18
Вологда (8172)26-41-59	Липецк (4742)52-20-81	Рязань (4912)46-61-64	Ульяновск (8422)24-23-59
Воронеж (473)204-51-73	Магнитогорск (3519)55-03-13	Самара (846)206-03-16	Уфа (347)229-48-12
Екатеринбург (343)384-55-89	Москва (495)268-04-70	Санкт-Петербург (812)309-46-40	Хабаровск (4212)92-98-04
Иваново (4932)77-34-06	Мурманск (8152)59-64-93	Саратов (845)249-38-78	Челябинск (351)202-03-61
Ижевск (3412)26-03-58	Набережные Челны (8552)20-53-41	Севастополь (8692)22-31-93	Череповец (8202)49-02-64
Иркутск (395)279-98-46	Нижний Новгород (831)429-08-12	Симферополь (3652)67-13-56	Ярославль (4852)69-52-93
Россия (495)268-04-70	Киргизия (996)312-96-26-47	Казахстан (7172)727-132	